

Excellent Integrated System Limited

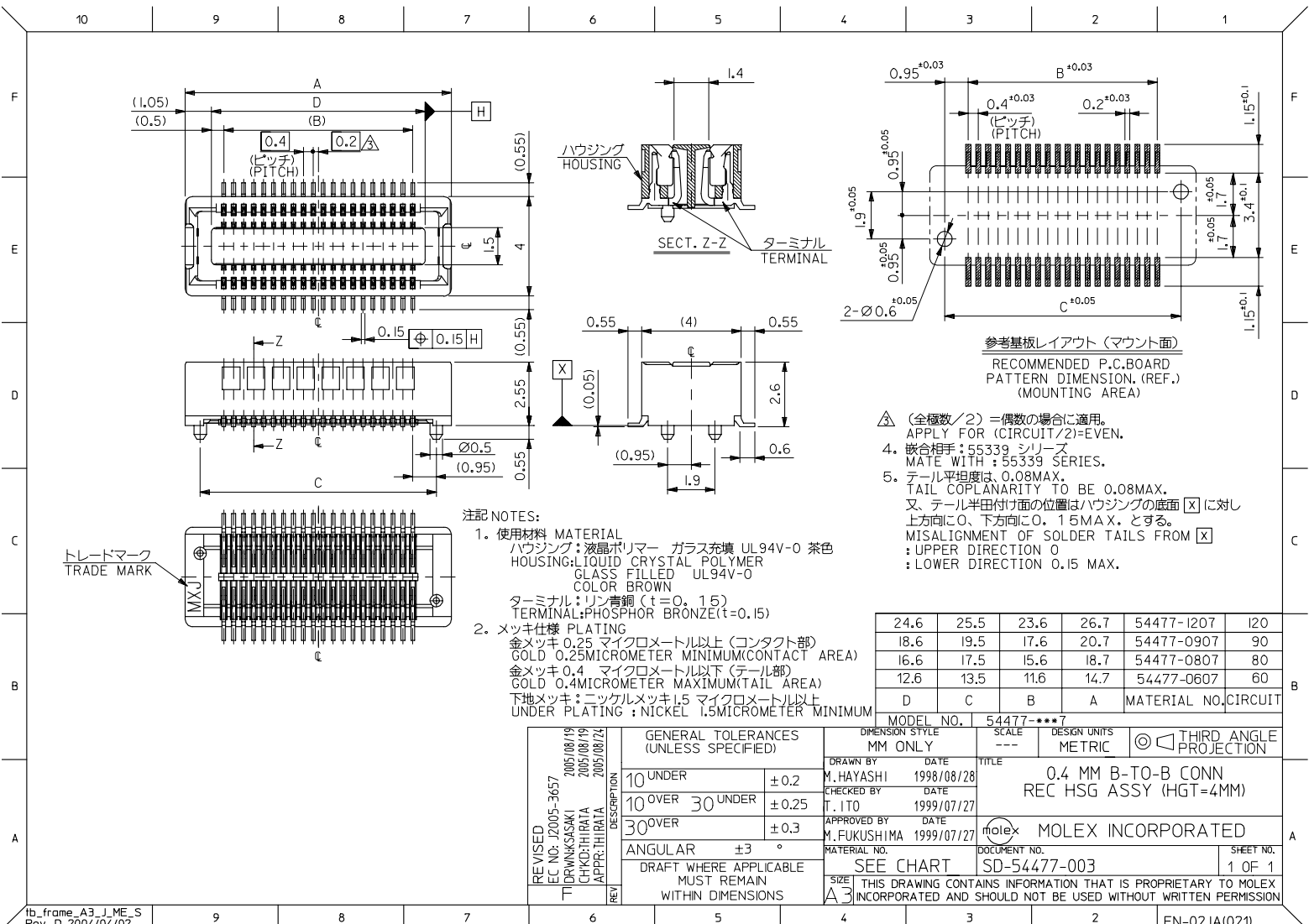
Stocking Distributor

Click to view price, real time Inventory, Delivery & Lifecycle Information:

[Molex Connector Corporation](#)
[0544771208](#)

For any questions, you can email us directly:

sales@integrated-circuit.com



注記 NOTES:
 1. 使用材料 MATERIAL
 ハウジング: 液晶ポリマー ガラス充填 UL94V-0 茶色
 HOUSING: LIQUID CRYSTAL POLYMER
 GLASS FILLED UL94V-0
 COLOR BROWN
 ターミナル: 銅 (t=0.15)
 TERMINAL: PHOSPHOR BRONZE (t=0.15)
 2. メッキ仕様 PLATING
 金メッキ 0.25 マイクロメートル以上 (コンタクト部)
 GOLD 0.25MICROMETER MINIMUM (CONTACT AREA)
 金メッキ 0.4 マイクロメートル以下 (テール部)
 GOLD 0.4MICROMETER MAXIMUM (TAIL AREA)
 下地メッキ: ニッケルメッキ 1.5 マイクロメートル以上
 UNDER PLATING: NICKEL 1.5MICROMETER MINIMUM

参考基板レイアウト (マウント面)
 RECOMMENDED P.C. BOARD
 PATTERN DIMENSION. (REF.)
 (MOUNTING AREA)

△ (全極数/2) = 偶数の場合に適用。
 APPLY FOR (CIRCUIT/2) = EVEN.
 4. 嵌合相手: 55339 シリーズ
 MATE WITH: 55339 SERIES.
 5. テール平坦度は 0.08MAX.
 TAIL COPLANARITY TO BE 0.08MAX.
 又、テール半田付け面の位置はハウジングの底面 [X] に対し
 上方向に 0、下方向に 0.15MAX. とする。
 MISALIGNMENT OF SOLDER TAILS FROM [X]
 : UPPER DIRECTION 0
 : LOWER DIRECTION 0.15 MAX.

24.6	25.5	23.6	26.7	54477-1207	120
18.6	19.5	17.6	20.7	54477-0907	90
16.6	17.5	15.6	18.7	54477-0807	80
12.6	13.5	11.6	14.7	54477-0607	60
D	C	B	A	MATERIAL NO. CIRCUIT	

REVISED EC NO.: J2005-3657 DRAWN: KASAKI CHKD: THIRATA APPR: THIRATA REV	DESCRIPTION	GENERAL TOLERANCES (UNLESS SPECIFIED)		MODEL NO.	54477-***7
		10 UNDER	±0.2	DRAWN BY	M. HAYASHI
		10 OVER 30 UNDER	±0.25	DATE	1998/08/28
		30 OVER	±0.3	CHECKED BY	T. ITO
ANGULAR ±3°		DRAFT WHERE APPLICABLE MUST REMAIN WITHIN DIMENSIONS		DATE	1999/07/27
MATERIAL NO.		SEE CHART		APPROVED BY	M. FUKUSHIMA
DATE		2005/08/19		DATE	1999/07/27
SCALE		SD-54477-003		MOLEX INCORPORATED	
SHEET NO.		1 OF 1		THIRD ANGLE PROJECTION	

10 9 8 7 6 5 4 3 2 1

F

E

D

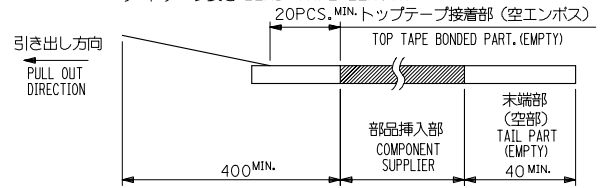
C

B

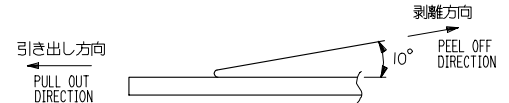
A

NOTES

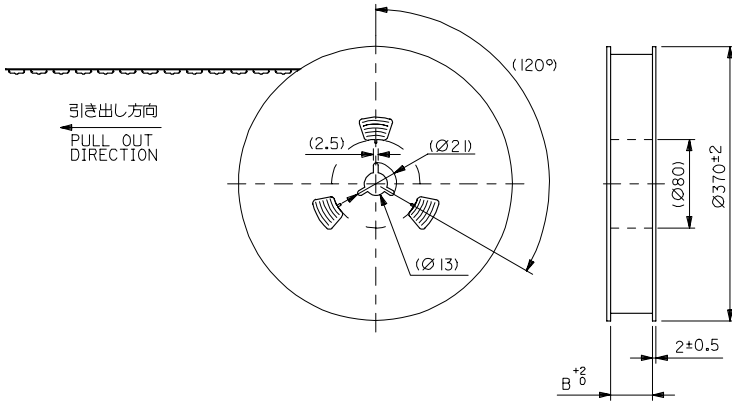
- 製品詳細寸法については図面 SD-54477-003 を参照下さい。
RE DETAILED DIMENSION, SEE SD-54477-003
- 梱包数量: 1500個/リール
NUMBER OF CONNECTORS: 1500PCS/REEL
- リードテープ長さ LEAD TAPE LENGTH



- トップテープの剥離強度: 0.1N ~ 0.7N(10.2gf ~ 71.4gf)
(剥離方向は下図参照)
尚、本規格値は出荷時に適用。(但し、輸送時に剥離が発生しないこと。)
PEELING OFF FORCE OF TOP TAPE: 0.1N ~ 0.7N(10.2gf ~ 71.4gf)
(PEELING DIRECTION AS SHOWN IN FOLLOWING FIG.)
THIS REQUIREMENT SHOULD BE APPLIED AT SHIPMENT.
PEEL OFF SHOULD NOT BE ALLOWED, DURING TRANSPORTATION.

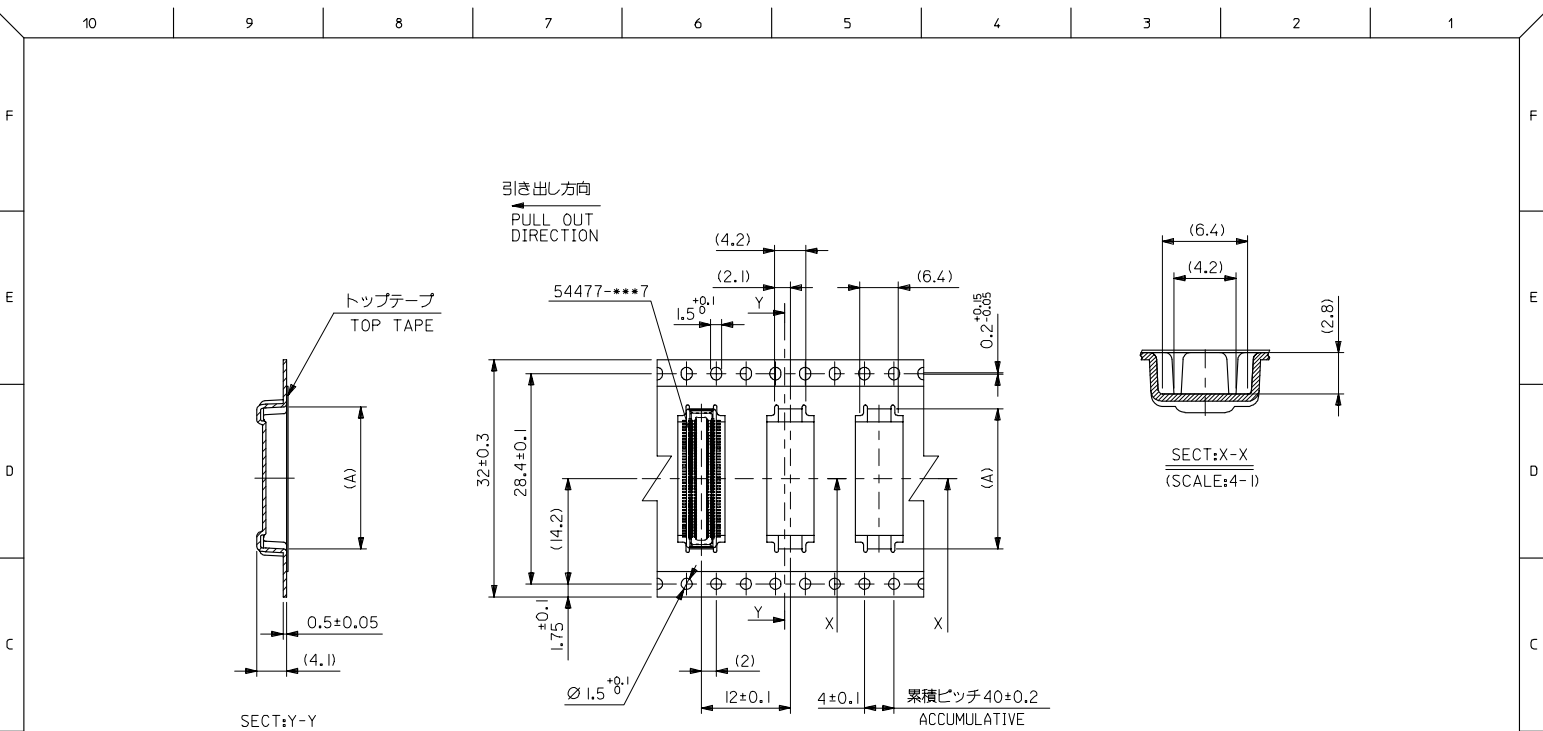


- 材料(MATERIAL)
キャリアテープ(CARRIER TAPE): ポリプロピレン(POLYPROPYLENE)
トップテープ(TOPTAPE): PET, PE, PEF
リール(REEL): 紙製(CARD BOARD)



REVISED EC NO: J2005-3657 DRAWN: KASAKI 2005/08/19 CHKD: HIRATA 2005/08/19 APPR: HIRATA 2005/08/24 REV:	GENERAL TOLERANCES (UNLESS SPECIFIED)		DIMENSION STYLE MM ONLY	SCALE ---	DESIGN UNITS METRIC	THIRD ANGLE PROJECTION
	10 UNDER	±0.2	DRAWN BY M. HAYASHI	DATE 1998/08/28	TITLE EMBOSSD TAPE PACKAGE FOR 54477-***7	
	10 OVER 30 UNDER	±0.25	CHECKED BY T. ITO	DATE 1999/01/27	MOLEX INCORPORATED	
	30 OVER	±0.3	APPROVED BY M. FUKUSHIMA	DATE 1999/01/27	DOCUMENT NO. SD-54477-004	
	ANGULAR	±3 °	MATERIAL NO. SEE CHART	SHEET NO. 1 OF 3		
	DRAFT WHERE APPLICABLE MUST REMAIN WITHIN DIMENSIONS		SIZE A3		THIS DRAWING CONTAINS INFORMATION THAT IS PROPRIETARY TO MOLEX INCORPORATED AND SHOULD NOT BE USED WITHOUT WRITTEN PERMISSION	

9 8 7 6 5 4 3 2 1 EN-02JA(021)



32mm幅キャリアテープ
32mm WIDTH CARRIER TAPE

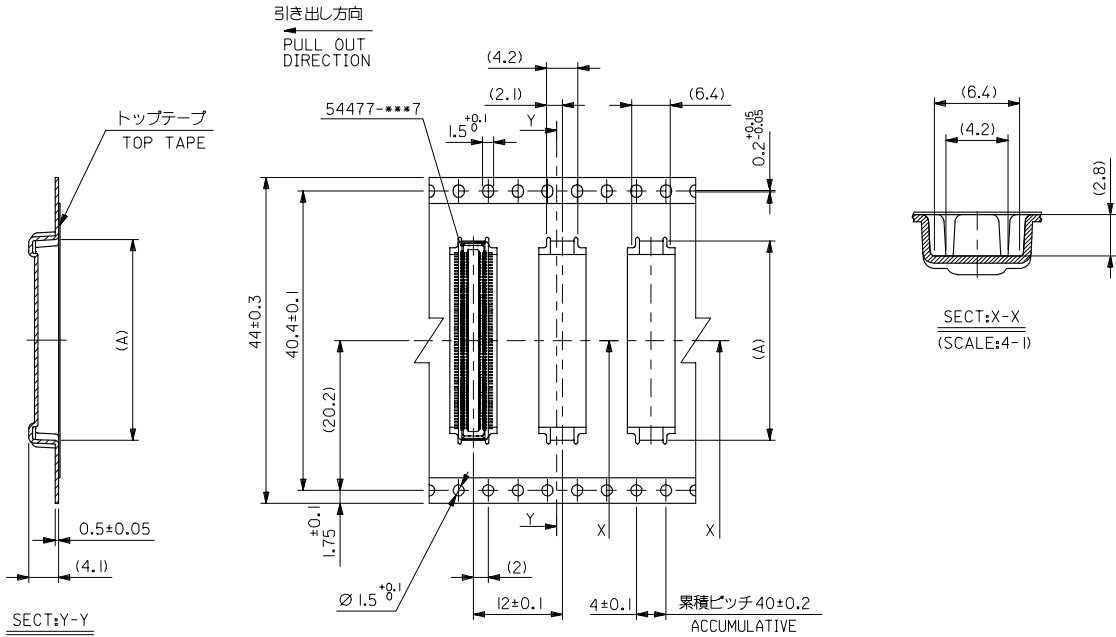
32	32.4	20.9	54477-0908	90
		18.9	54477-0808	80
		14.9	54477-0608	60
キャリアテープ幅 CARRIER TAPE WIDTH	B	(A)	MATERIAL NO.	極数 CKT.
MODEL NO.	54477-***8			

REVISED EC NO: J2005-3657 DR: NAKASAKI CHKD: THIRATA APPR: THIRATA 2005/08/19 2005/08/19 2005/08/24	GENERAL TOLERANCES (UNLESS SPECIFIED)		DIMENSION STYLE MM ONLY	SCALE ---	DESIGN UNITS METRIC	THIRD ANGLE PROJECTION
	10 UNDER	±0.2	DRAWN BY M. HAYASHI	DATE 1998/08/28	TITLE EMBOSSD TAPE PACKAGE FOR 54477-***7	
	10 OVER 30 UNDER	±0.25	CHECKED BY T. ITO	DATE 1999/01/27	APPROVED BY M. FUKUSHIMA	
	30 OVER	±0.3	DATE 1999/01/27	MOLEX INCORPORATED		
	ANGULAR	±3°	MATERIAL NO.	DOCUMENT NO.	SHEET NO.	
	DRAFT WHERE APPLICABLE MUST REMAIN WITHIN DIMENSIONS		SEE CHART	SD-54477-004	2 OF 3	
	THIS DRAWING CONTAINS INFORMATION THAT IS PROPRIETARY TO MOLEX INCORPORATED AND SHOULD NOT BE USED WITHOUT WRITTEN PERMISSION					

10 9 8 7 6 5 4 3 2 1

F
E
D
C
B
A

F
E
D
C
B
A



44mm幅キャリアテープ
44mm WIDTH CARRIER TAPE

累積ピッチ40±0.2
ACCUMULATIVE PITCH 40±0.2

44	44.4	26.9	54477-1208	I20
キャリアテープ幅 CARRIER TAPE WIDTH	B	(A)	MATERIAL NO.	種数 CKT.
MODEL NO.	54477-***8			

REVISED EC NO: J2005-3657 DRAWN: KASAKI CHKD: HIRATA APPR: HIRATA REV:	GENERAL TOLERANCES (UNLESS SPECIFIED)		DIMENSION STYLE MM ONLY	SCALE ---	DESIGN UNITS METRIC	THIRD ANGLE PROJECTION
	10 UNDER	±0.2	DRAWN BY M. HAYASHI	DATE 1998/08/28	TITLE EMBOSSD TAPE PACKAGE FOR 54477-***7	
	10 OVER 30 UNDER	±0.25	CHECKED BY T. ITO	DATE 1999/01/27	MOLEX INCORPORATED	
	30 OVER	±0.3	APPROVED BY M. FUKUSHIMA	DATE 1999/01/27	DOCUMENT NO. SD-54477-004	SHEET NO. 3 OF 3
ANGULAR ±3°		DRAFT WHERE APPLICABLE MUST REMAIN WITHIN DIMENSIONS	MATERIAL NO. SEE CHART	THIS DRAWING CONTAINS INFORMATION THAT IS PROPRIETARY TO MOLEX INCORPORATED AND SHOULD NOT BE USED WITHOUT WRITTEN PERMISSION		