

Excellent Integrated System Limited

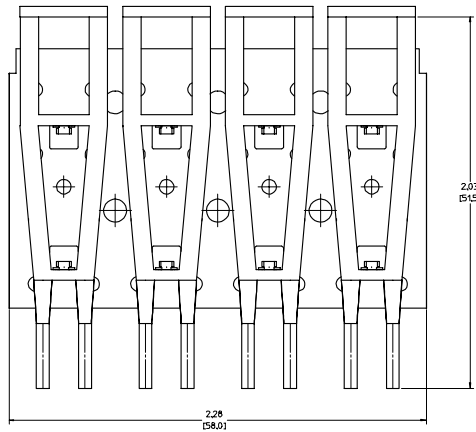
Stocking Distributor

Click to view price, real time Inventory, Delivery & Lifecycle Information:

[Molex Connector Corporation](#)
[0747280001](#)

For any questions, you can email us directly:

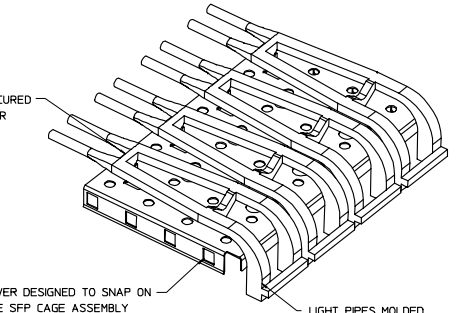
sales@integrated-circuit.com



LIGHT PIPES SECURED TO METAL COVER

COVER DESIGNED TO SNAP ON THE SFP CAGE ASSEMBLY

LIGHT PIPES MOLDED WITH V0 RATED MATERIAL



NOTES:

1. THIS LIGHT PIPE ASSEMBLY TO BE USED WITH THE FOLLOWING 1X4 SFP CAGE ASSEMBLIES:

747280411 - 1X4 SFP CAGE ASSEMBLY W/ PRESS FIT PINS, W/ 0.090 GASKET, F/ LIGHT PIPES (REFER TO DOCUMENT SD-74728-410)

747280412 - 1X4 SFP CAGE ASSEMBLY W/ SOLDER POSTS, W/ 0.103 GASKET, F/ LIGHT PIPES (REFER TO DOCUMENT SD-74728-412)

747280415 - 1X4 SFP CAGE ASSEMBLY W/ PRESS FIT PINS, W/ 0.0103 GASKET, F/ LIGHT PIPES (REFER TO DOCUMENT SD-74728-415)

2. IT IS RECOMMENDED THAT THE CAGE ASSEMBLY BE PRESSED INTO OR SOLDERED TO THE PCB PRIOR TO ASSEMBLING THE LIGHT PIPE ASSEMBLY.

3. LED'S TO HAVE A MAXIMUM HEIGHT OF 1.4mm AND A MINIMUM HEIGHT OF 0.7mm

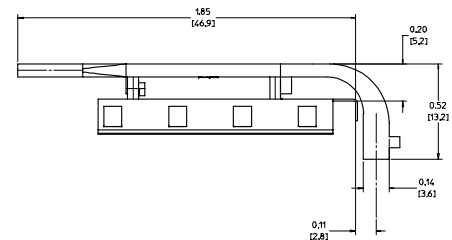
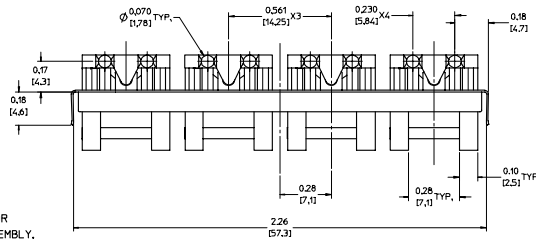
4. RECOMMENDED LED'S INCLUDE THE FOLLOWING MANUFACTURERS:

DIALIGHT; 597-77x1-5xx SERIES

CHICAGO MINIATURE; 7016 SERIES

KINGBRIGHT; APBL3025 SERIES (BICOLOR)
APL3015 SERIES (SINGLE COLOR)

5. THIS PART MEETS THE RESTRICTION OF HAZARDOUS SUBSTANCES IN ELECTRICAL AND ELECTRONIC EQUIPMENT (ROHS) DIRECTIVE (2002/95/EC).



ENTER DESCRIPTION E.C. NO. 0747280001 DRAWN BY MONSON 2004/07/08 CHECKED BY BRUSSELL 2004/07/08 APPROVED BY BRUSSELL 2004/07/08 DESCRIPTION 1X4 SFP LIGHT PIPE ASSEMBLY, BACK-TOP	QUALITY SYMBOLS ▽=0 ▽=0	GENERAL TOLERANCES (UNLESS SPECIFIED)		DIMENSION STYLE IN/MM	SCALE 4:1	DESIGN UNITS METRIC	THIRD ANGLE PROJECTION
		4 PLACES ± 0.13 3 PLACES ± 0.05 2 PLACES ± 0.01 1 PLACE ± 0.25 ANGULAR ± 1°	4 PLACES ± 0.005 3 PLACES ± 0.005 2 PLACES ± 0.01 1 PLACE ± 0.25 ANGULAR ± 1°	DRAWN BY KS MONSON DATE 2004/07/08	CHECKED BY BRUSSELL DATE 2004/07/08	FILE 1X4 SFP LIGHT PIPE ASSEMBLY, BACK-TOP	MOLEX INCORPORATED
DRAFT WHERE APPLICABLE MUST REMAIN WITHIN DIMENSIONS		MATERIAL NO. 747280001	DOCUMENT NO. SD-74728-001	SET THIS DRAWING CONTAINS INFORMATION THAT IS PROPRIETARY TO MOLEX INCORPORATED AND SHOULD NOT BE USED WITHOUT WRITTEN PERMISSION			

PCB LAYOUT
FOR SINGLE SIDE MOUNTING

CROSS-HATCHED AREA DENOTES
COMPONENT AND TRACE KEEP-OUT
(EXCEPT CHASSIS GROUND)

$\phi 0.041 \pm 0.002$
 (1.05 ± 0.05)
 $\phi 0.004$ [A]

$\phi 0.037 \pm 0.002$
 (0.95 ± 0.05)
 $\phi 0.004$ [A]

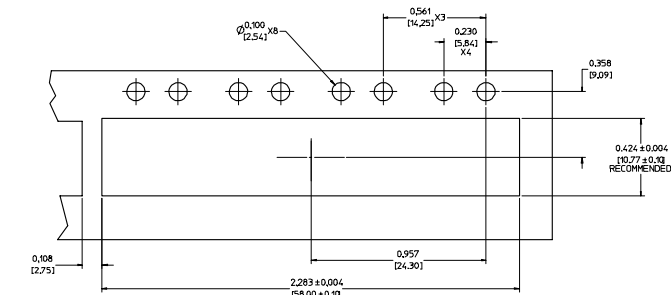
SMALLER HOLE ON
THESE FOUR ROWS ONLY

THIS AREA DENOTES
COMPONENT KEEP-OUT
(TRACES ALLOWED)

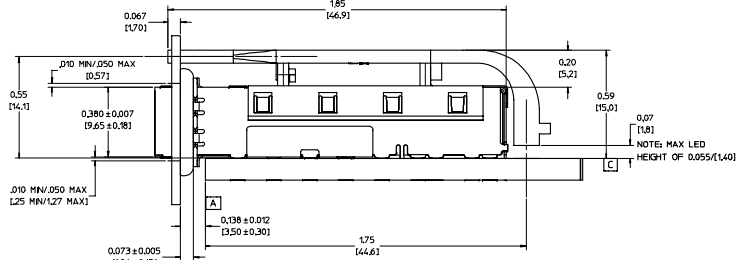
NOTES:

1. PADS AND VIAS GO TO CHASSIS GROUND. (34 PLACES). RECOMMENDED PADS TO BE 2mm SQUARE.
2. PLATING OPTIONAL FOR THROUGH HOLES. (12 PLACES).
3. RECOMMENDED PLATING INCLUDES HASL, IMMERSION (GOLD OR SILVER), AND OSP.
4. HOLE PATTERN REPEATS FOR EACH PORT. SPACING BETWEEN PORTS IS 5.61 [14.25].

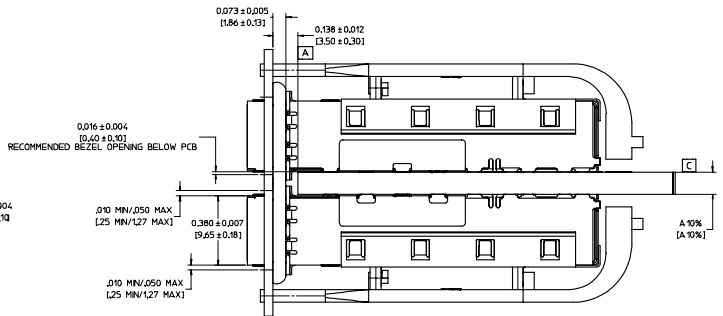
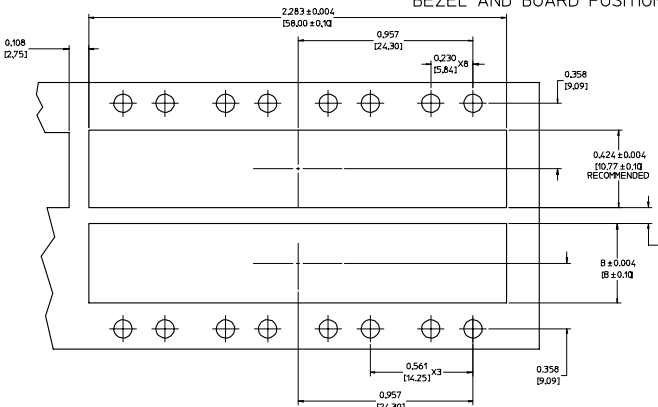
QUALITY SYMBOLS		GENERAL TOLERANCES (UNLESS SPECIFIED)		DIMENSION STYLE		SCALE	DESIGN UNITS	THIRD ANGLE PROJECTION
		MILL	INCH	IN/MM	IN/MM	6:1	METRIC	
$\nabla=0$	4 PLACES \pm ---	\pm ---	\pm ---	DRAWN BY	DATE			
$\nabla=0$	3 PLACES \pm ---	\pm ---	\pm ---	KS MONSO	2004/07/08			
	2 PLACES \pm 0.13	\pm 0.05	\pm 0.01	CHECKED BY	DATE			
	1 PLACE \pm 0.25	\pm ---	\pm ---	BRUSSELL	2004/07/08			
	ANGULAR \pm 1°	\pm ---	\pm ---	APPROVED BY	DATE			
				BRUSSELL	2004/07/08			
DRAFT WHERE APPLICABLE MUST REMAIN WITHIN DIMENSIONS				MATERIAL NO.	DOCUMENT NO.			SHEET NO.
				747280001	SD-74728-001			3 OF 5
				SEE THIS DRAWING CONTAINS INFORMATION THAT IS PROPRIETARY TO MOLEX INCORPORATED AND SHOULD NOT BE USED WITHOUT WRITTEN PERMISSION				



BEZEL AND BOARD POSITION DIMENSIONS FOR SINGLE SIDE MOUNTING



BEZEL AND BOARD POSITION DIMENSIONS FOR BELLY TO BELLY MOUNTING



NOTE: FOR A GIVEN BOARD THICKNESS (A), DIMENSIONS (B) AND (C) ARE DIRECTLY AFFECTED.
 USE RECOMMENDED DIMENSIONS AND TOLERANCES TO AID IN DEVELOPING BEZEL OPENING.
 FOR EXAMPLE USING A BOARD THICKNESS OF .125" THE RECOMMENDED VALUES WOULD BE:
 A = .125/3.18 ± 10%
 B = .434/11.03 ± .004
 C = .088/2.23 ± .004

ENTER DESCRIPTION E.C. NO. U572006-0008 DRAWN BY MONSON 2004/07/08 CHECKED BY BRUSSELL 2004/07/08 APPROVED BY BRUSSELL 2004/07/08 DESCRIPTION	QUALITY SYMBOLS ▽=0 ▽=0	GENERAL TOLERANCES (UNLESS SPECIFIED)		DIMENSION STYLE IN/MM	SCALE 4:1	DESIGN UNITS METRIC	THIRD ANGLE PROJECTION
		4 PLACES ± .005 3 PLACES ± .005 2 PLACES ± 0.13 1 PLACE ± 0.25 ANGULAR ± 1°	4 PLACES ± .005 3 PLACES ± .005 2 PLACES ± 0.13 1 PLACE ± 0.25 ANGULAR ± 1°				
DRAFT WHERE APPLICABLE MUST REMAIN WITHIN DIMENSIONS		MATERIAL NO. 747280001		DOCUMENT NO. SD-74728-001		SHEET NO. 4 OF 5	
SET THIS DRAWING CONTAINS INFORMATION THAT IS PROPRIETARY TO MOLEX INCORPORATED AND SHOULD NOT BE USED WITHOUT WRITTEN PERMISSION							

DATE	REV	CHANGES	COMMENTS
2004/01/15	1	PRELIMINARY DOCUMENT	N/A
2004/07/08	A	INITIAL RELEASE	N/A
2004/12/02	B	UPDATED VIEWS	DOCUMENT CHANGE ONLY
2005/06/03	C	CORRECTED P/N FOR DIALIGHT LED	DOCUMENT CHANGE ONLY
2005/06/10	D	UPDATED VIEWS TO SHOW CLEARANCE HOLES ADDED TO THE COVER.	N/A

ENTER DESCRIPTION E.C. NO. USY2006-0008 DRAWN BY MONSON 2005/07/14 CHECKED BY BRUSSELL 2005/07/14 APPROVED BY BRUSSELL 2005/07/14 DESCRIPTION	QUALITY SYMBOLS ▽=0 ▽=0	GENERAL TOLERANCES (UNLESS SPECIFIED)		DIMENSION STYLE IN/MM	SCALE 1:1	DESIGN UNITS METRIC	THIRD ANGLE PROJECTION
		4 PLACES ± --- ± --- 3 PLACES ± --- ± .005 2 PLACES ± 0.13 ± .01 1 PLACE ± 0.25 ± --- ANGULAR ± 1°	DRAWN BY DATE KS MONSON 2004/07/08 CHECKED BY DATE BRUSSELL 2004/07/08 APPROVED BY DATE BRUSSELL 2004/07/08	TITLE 1X4 SFP LIGHT PIPE ASSEMBLY, BACK-TOP		MATERIAL NO. 747280001 DOCUMENT NO. SD-74728-001	
DRAFT WHERE APPLICABLE MUST REMAIN WITHIN DIMENSIONS		SET THIS DRAWING CONTAINS INFORMATION THAT IS PROPRIETARY TO MOLEX INCORPORATED AND SHOULD NOT BE USED WITHOUT WRITTEN PERMISSION					