

Excellent Integrated System Limited

Stocking Distributor

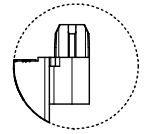
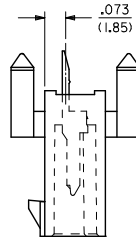
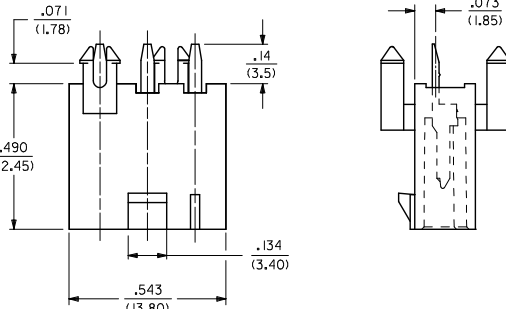
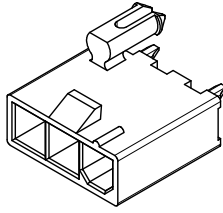
Click to view price, real time Inventory, Delivery & Lifecycle Information:

[Molex Connector Corporation](#)
[0039302038](#)

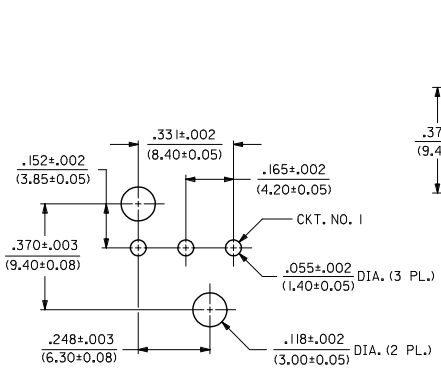
For any questions, you can email us directly:

sales@integrated-circuit.com

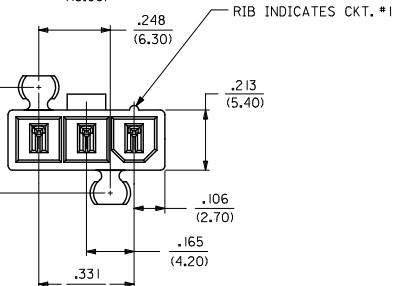
- NOTES:
- MATERIALS:
 - HOUSING:
 - *BLANK*=NYLON 6/6, UNFILLED UL94 V-2, COLOR: NATURAL
 - *130*=GLASS FILLED LCP, UL94 V-0, COLOR: NATURAL
 - *210*=NYLON 6/6, UNFILLED UL94 V-0, COLOR: NATURAL
 - *400*=NYLON 6/6, UNFILLED UL94 V-0, COLOR: BLACK
 - TERMINALS:
 - BRASS
 - TERMINAL PLATING:
 - *BLANK*=.000035/(0.00090) MIN. BRIGHT TIN OVER .000020/(0.00050) MIN. COPPER
 - GS2=.00015/(0.00038) MIN. SELECT GOLD AND .000100/(0.00254) MIN. SELECT MATTE TIN OVER .000050/(0.00127) MIN. NICKEL OVERALL
 - GS=.000030/(0.00076) MIN. SELECT GOLD AND .000100/(0.00254) MIN. SELECT MATTE TIN OVER .000050/(0.00127) MIN. NICKEL OVERALL
 - S=.000100/(0.00254) MIN. BRIGHT TIN OVER .000050/(0.00127) MIN. NICKEL
 - MS=.000100/(0.00254) MIN. MATTE TIN OVER .000050/(0.00127) MIN. NICKEL
 - PRODUCT SPECIFICATION: PS-5556-001
 - PACKAGING: TRAY PACKED PER PK-5566-002
 - PART MATES WITH MINI-FIT JR. RECEPTACLE NO. 5557.
 - ALL DIMENSIONS ARE REFERENCE UNLESS OTHERWISE SPECIFIED.
 - PART IS NOT DESIGNED FOR CURRENT SHARING.
 - PARTS ARE NOT TO BE MATED OR UN-MATED WHILE CIRCUITS ARE LIVE.
 - PART CONFORMS TO CLASS "B" REQUIREMENTS OF COSMETIC SPECIFICATION PS-45499-002.



PRESS FIT PEG OPTION



RECOMMENDED HOLE LAYOUT FOR .070/(1.78) MAX. THICK P. C. BOARD



LEGEND

5566-03A3*-***

BASE NO. _____

CIRCUIT SIZE _____

MOUNTING _____
 3 = SNAP FIT PEGS
 15 = PRESS FIT PEGS

PLATING _____
 (SEE NOTE 2)

HOUSING MATERIAL _____
 (SEE NOTE 1)

ADD MS P/N'S EC NO: UCF2016-0302 DRAWN BY: JMM CHKD: JMB APPR: SMTH DATE: 2015/07/20 DATE: 2015/07/20 DATE: 2015/07/23	QUALITY SYMBOLS ∇=0 ∇=0 ∇=0	GENERAL TOLERANCES (UNLESS SPECIFIED)		DIMENSION STYLE		SCALE	DESIGN UNITS	THIRD ANGLE PROJECTION	
				IN/MM		4:1	METRIC		
				DRAWN BY: GEP DATE: 1990/06/07		TITLE: MINI-FIT JR. VERT. HDR. ASSY. W/PEGS (SINGLE ROW)			
				CHECKED BY: RJJ DATE: 1990/06/07		molex SDA-5566-03*3* SHEET NO. 1 OF 1			
		APPROVED BY: F SMITH DATE: 2012/09/05							
		ANGULAR ±1/2°		MATERIAL NO.		DOCUMENT NO.			
		DRAFT WHERE APPLICABLE MUST REMAIN WITHIN DIMENSIONS		SEE CHART		SDA-5566-03*3*			
		THIS DRAWING CONTAINS INFORMATION THAT IS PROPRIETARY TO MOLEX INCORPORATED AND SHOULD NOT BE USED WITHOUT WRITTEN PERMISSION							