

## Excellent Integrated System Limited

Stocking Distributor

Click to view price, real time Inventory, Delivery & Lifecycle Information:

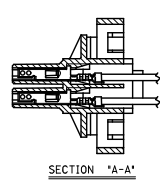
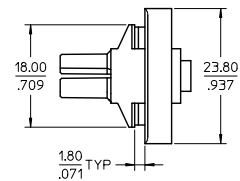
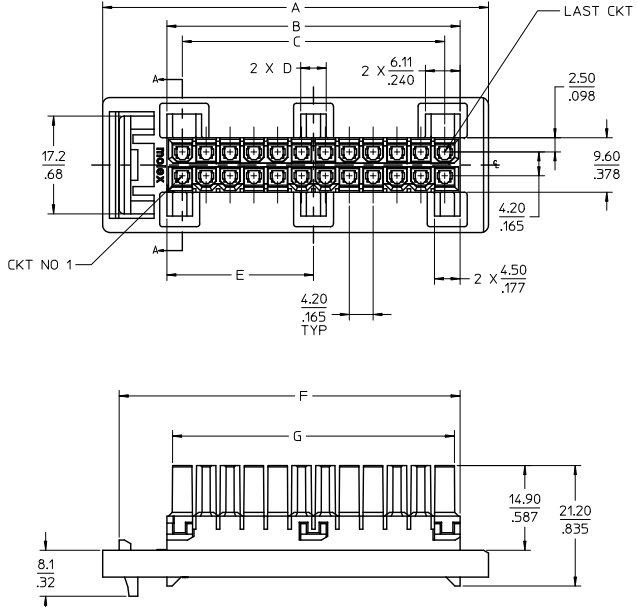
[Molex Connector Corporation](#)  
[0445160012](#)

For any questions, you can email us directly:

[sales@integrated-circuit.com](mailto:sales@integrated-circuit.com)

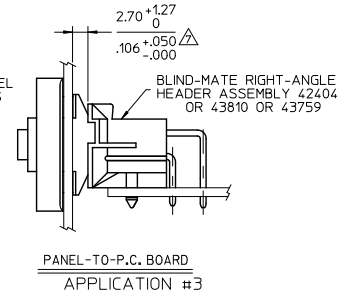
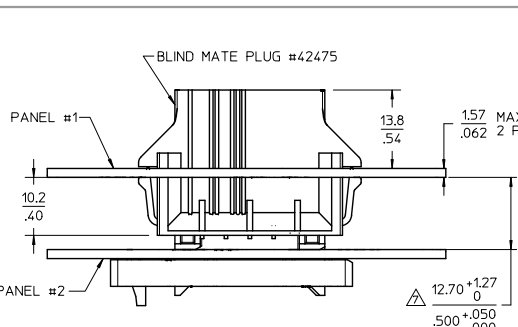
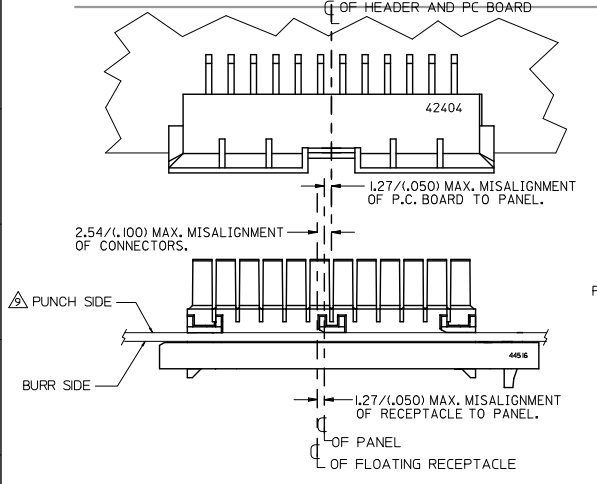
CKT. SIZE	MATERIAL NUMBER	TOOLING
18	44516-0009	TOOLED
20	44516-0010	NOT TOOLED
22	44516-0011	NOT TOOLED
24	44516-0012	TOOLED

CKT. SIZE	DIM. "A"	DIM. "B"	DIM. "C"	DIM. "D"	DIM. "E"	DIM. "F"	DIM. "G"	DIM. "K"	DIM. "L"	DIM. "M"	DIM. "N"
18	55.30 (2.177)	39.00 (1.535)	33.60 (1.323)	3.59 (.141)	19.50 (.768)	47.40 (1.867)	37.00 (1.458)	49.94 (1.966)	40.77 (1.605)	18.72 (.737)	4.35 (.171)
20	59.50 (2.343)	43.20 (1.701)	37.80 (1.488)	4.50 (.177)	21.60 (.850)	51.60 (2.032)	41.20 (1.623)	54.14 (2.131)	44.97 (1.770)	20.37 (.802)	5.26 (.207)
22	63.70 (2.508)	47.40 (1.866)	42.00 (1.653)	3.59 (.141)	23.70 (.933)	55.80 (2.197)	45.40 (1.788)	58.34 (2.297)	49.18 (1.936)	22.92 (.902)	4.35 (.171)
24	67.90 (2.673)	51.60 (2.031)	46.20 (1.819)	4.50 (.177)	25.80 (1.016)	60.00 (2.362)	49.60 (1.953)	62.54 (2.462)	53.38 (2.102)	24.57 (.967)	5.26 (.207)



- NOTES:**
- MATERIAL: PBT, UNFILLED BLACK, V-0.
  - FINISH: NOT APPLICABLE
  - PRODUCT SPECIFICATION: PS-44516-001
  - PACKAGING SPECIFICATION: PK-44516-002 FOR 18-22 CIRCUITS  
PK-44516-003 FOR 24 CIRCUIT
  - PART MATES WITH MINI-FIT B.M.I. PLUG #42475 AND HEADERS 42404, 42440, 44068, 43879, 43810, AND 43759.
  - PART TO BE USED WITH MOLEX FEMALE TERMINAL #5556, 44476 OR 45750.
  - A MAXIMUM TOLERANCE OF 127/1.050 ALLOWS FOR 2 POINTS OF ELECTRICAL CONTACT. A MAXIMUM TOLERANCE OF .51/1.020 ALLOWS FOR 4 POINTS OF CONTACT.
  - CONNECTOR ASSEMBLIES ARE NOT TO BE MATED OR UNMATED WHILE CIRCUITS ARE LIVE.
  - PANEL SHOULD BE PUNCHED IN THE DIRECTION OPPOSITE OF CONNECTOR INSERTION.
  - THIS PART IS NOT INTENDED TO PROVIDE ANY ALIGNMENT OF CUSTOMER COMPONENTS OR MODULES, SUCH AS POWER SUPPLIES AND CHASSIS.
  - PANEL CUT-OUT DIMENSIONS HAVE A TOLERANCE OF ±.076/1.003.
  - IT IS THE RESPONSIBILITY OF THE CUSTOMER TO ENSURE THAT THE PANEL TO WHICH THE RECEPTACLE IS TO BE MOUNTED, IS SUFFICIENTLY SUPPORTED SO THAT FLEXING OF THE PANEL DURING MATING DOES NOT PREVENT THE CONNECTOR SYSTEM FROM BEING FULLY MATED.
  - IT IS RECOMMENDED THAT THE CABLES EXITING THE RECEPTACLE BE DRESSED IN A MANNER THAT WILL ALLOW THE RECEPTACLE TO FLOAT FREELY WHEN MOUNTED IN IT'S RESPECTIVE PANEL.
  - THIS PART IS NOT INTENDED TO ACT AS A HARD STOP FOR CUSTOMER COMPONENTS.
  - WIRES TO BE DRESSED IN SUCH A MANNER TO ALLOW THE TERMINALS TO FLOAT FREELY IN THE POCKET
  - PART CONFORMS TO CLASS 'B' REQUIREMENTS OF COSMETIC SPECIFICATION PS-45499-002
  - THIS CONNECTOR ALLOWS FOR 127/1.050 MAX. MISALIGNMENT IN ANY DIRECTION.

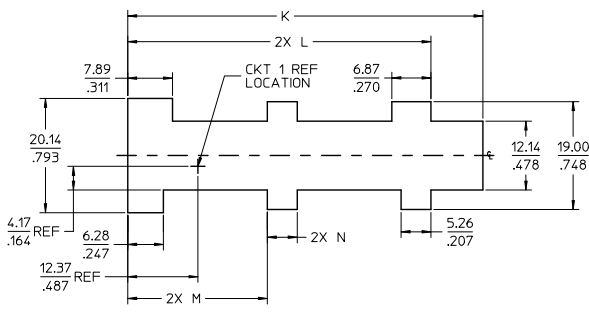
<b>CORRECT ERRORS</b> EC NO: UCP2012-2787 DRAWING NO: 2012/02/24 CHKD: BELL APPR: SMITH 2012/05/04	QUALITY SYMBOLS ∇=0 ∇=0 ∇=0	GENERAL TOLERANCES (UNLESS SPECIFIED)		DIMENSION STYLE		SCALE	DESIGN UNITS	THIRD ANGLE PROJECTION	
				MM/IN		2:1	METRIC		
		4 PLACES ± --- ± ---	3 PLACES ± --- ± .010	2 PLACES ± 0.25 ± .014	1 PLACE ± 0.35 ± ---	ANGULAR ± 1/2°	DRAWN BY: HRIBAR	DATE: 01/07/17	TITLE: PANEL-MOUNT RECEPTACLE 18-24 CIRCUIT BLIND MATE MINI-FIT SLIDE 'N' LOCK
		DRAFT WHERE APPLICABLE MUST REMAIN WITHIN DIMENSIONS		SEE CHART	SD-44516-005		APPROVED BY: F SMITH	DATE: 2012/05/04	MATERIAL NO. / DOCUMENT NO. / SHEET NO. 1 OF 2



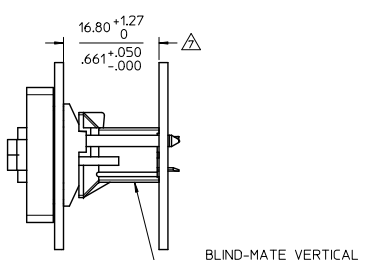
PANEL-TO-PANEL APPLICATION #1

PANEL-TO-P.C. BOARD APPLICATION #3

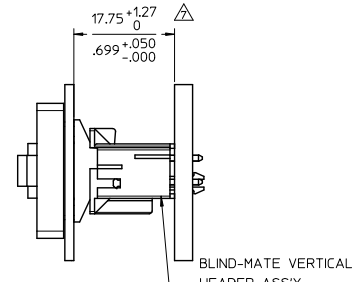
ALIGNMENT TOLERANCES FOR 1.27/(.050) MAX. BOARD-TO-PANEL MISALIGNMENT  
(±1.27/(.050) RECEPTACLE FLOAT)



RECOMMENDED PANEL CUT-OUT FOR 1.57/1.19/(.062/.047) MAX./MIN. THICK PANEL  
SHOWN FROM MATING SIDE (SEE NOTE 9 & 11)



PANEL-TO-P.C. BOARD APPLICATION #2



PANEL-TO-P.C. BOARD APPLICATION #4

SEE SHEET 1 EC NO: UCP2012-2787 DRAWING: 2012/02/24 CHKD: BELL APPR: SMITH 2012/05/04	QUALITY SYMBOLS ∇=0 ∇=0 ∇=0	GENERAL TOLERANCES (UNLESS SPECIFIED)		DIMENSION STYLE MM/IN		SCALE 2:1	DESIGN UNITS METRIC	THIRD ANGLE PROJECTION	
		4 PLACES ± --- ± ---	3 PLACES ± --- ± .010	DRAWN BY HRIBAR	DATE 01/07/17	TITLE PANEL-MOUNT RECEPTACLE 18-24 CIRCUIT BLIND MATE MINI-FIT SLIDE 'N' LOCK			
		2 PLACES ± 0.25 ± .014	1 PLACE ± 0.35 ± ---	CHECKED BY BANDURA	DATE 01/07/17	MOLEX INCORPORATED			
		ANGULAR ± 1/2°		APPROVED BY F SMITH	DATE 2012/05/04	MATERIAL NO. SEE SHEET 1	DOCUMENT NO. SD-44516-005	SHEET NO. 2 OF 2	
DRAFT WHERE APPLICABLE MUST REMAIN WITHIN DIMENSIONS		THIS DRAWING CONTAINS INFORMATION THAT IS PROPRIETARY TO MOLEX INCORPORATED AND SHOULD NOT BE USED WITHOUT WRITTEN PERMISSION							