



**Distributor of Molex Connector Corporation: Excellent Integrated System Limited**  
Datasheet of 0836199003 - D-Sub Connector Plug, Male Pins 9, 9 Position Panel Mount,  
Through Hole, Right Angle Solder

Contact us: [sales@integrated-circuit.com](mailto:sales@integrated-circuit.com) Website: [www.integrated-circuit.com](http://www.integrated-circuit.com)

---

## **Excellent Integrated System Limited**

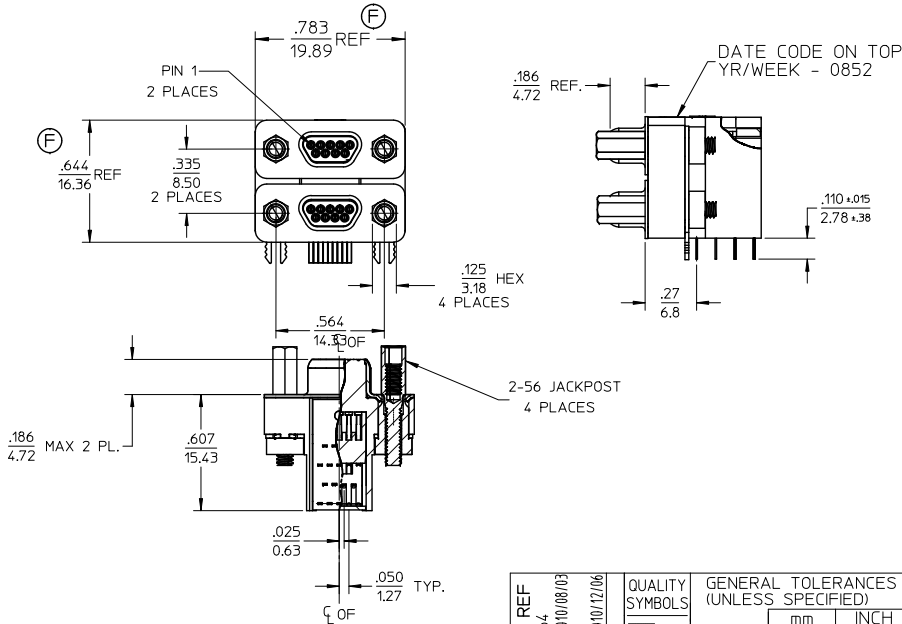
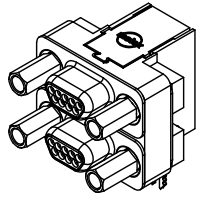
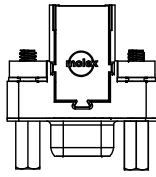
Stocking Distributor

Click to view price, real time Inventory, Delivery & Lifecycle Information:

[Molex Connector Corporation](#)  
[0836199003](#)

For any questions, you can email us directly:  
[sales@integrated-circuit.com](mailto:sales@integrated-circuit.com)

MATERIAL NO. 836199003	ENGINEERING NO. 83619-9003
---------------------------	-------------------------------

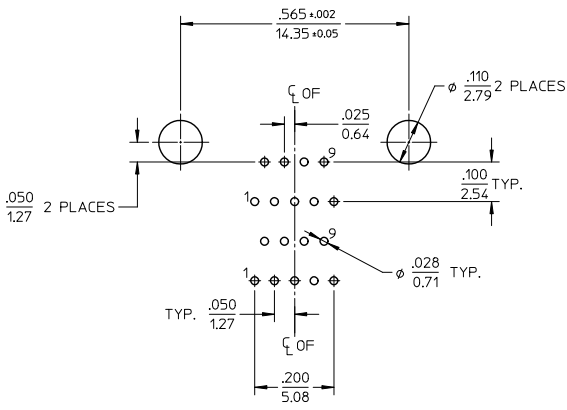


SALES DRAWING

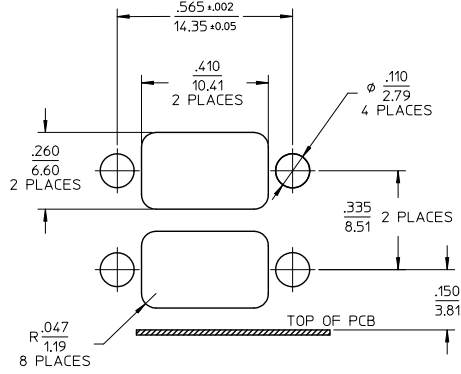
4. RoHS COMPLIANT
  3. FOR PRODUCT SPEC SEE PS-83421-001
  2. SEE SHEET 2 OF 2 FOR P.C.B. LAYOUT AND PANEL CUT-OUT DIMENSIONS.
  1. MARKING: NONE.
- NOTES UNLESS OTHERWISE SPECIFIED

UPDATE DIM TO REF EC NO: WNA2011-0064 DRAWN: RUPERT 2010/08/03 CHKD: JFMURPHY APPR: JFMURPHY 2010/12/06 REV DESCRIPTION	QUALITY SYMBOLS	GENERAL TOLERANCES (UNLESS SPECIFIED)	DIMENSION STYLE	SCALE	DESIGN UNITS	THIRD ANGLE PROJECTION																													
	$\nabla=0$ $\nabla=0$	<table border="1"> <tr> <th></th> <th>mm</th> <th>INCH</th> </tr> <tr> <td>4 PLACES</td> <td>±---</td> <td>±---</td> </tr> <tr> <td>3 PLACES</td> <td>±---</td> <td>±.005</td> </tr> <tr> <td>2 PLACES</td> <td>±0.13</td> <td>±.01</td> </tr> <tr> <td>1 PLACE</td> <td>±0.25</td> <td>±---</td> </tr> <tr> <td colspan="3">ANGULAR ±1/2°</td> </tr> </table>		mm	INCH	4 PLACES	±---	±---	3 PLACES	±---	±.005	2 PLACES	±0.13	±.01	1 PLACE	±0.25	±---	ANGULAR ±1/2°			<table border="1"> <tr> <th>IN/MM</th> <th>DATE</th> <th>TITLE</th> </tr> <tr> <td>JLOMASTR</td> <td>04/09/20</td> <td>DUAL CONN PLG</td> </tr> <tr> <td>RDEROSS</td> <td>04/09/27</td> <td>RT ANG, COMM-D, SIZE 9</td> </tr> <tr> <td>JFMURPHY</td> <td>2010/12/06</td> <td>MOLEX INCORPORATED</td> </tr> </table>	IN/MM	DATE	TITLE	JLOMASTR	04/09/20	DUAL CONN PLG	RDEROSS	04/09/27	RT ANG, COMM-D, SIZE 9	JFMURPHY	2010/12/06	MOLEX INCORPORATED	2:1	INCH
	mm	INCH																																	
4 PLACES	±---	±---																																	
3 PLACES	±---	±.005																																	
2 PLACES	±0.13	±.01																																	
1 PLACE	±0.25	±---																																	
ANGULAR ±1/2°																																			
IN/MM	DATE	TITLE																																	
JLOMASTR	04/09/20	DUAL CONN PLG																																	
RDEROSS	04/09/27	RT ANG, COMM-D, SIZE 9																																	
JFMURPHY	2010/12/06	MOLEX INCORPORATED																																	
		DRAFT WHERE APPLICABLE MUST REMAIN WITHIN DIMENSIONS	SEE CHART	MATERIAL NO.	DOCUMENT NO.	SHEET NO.																													
			THIS DRAWING CONTAINS INFORMATION THAT IS PROPRIETARY TO MOLEX INCORPORATED AND SHOULD NOT BE USED WITHOUT WRITTEN PERMISSION		SD-83619-008	1 OF 2																													

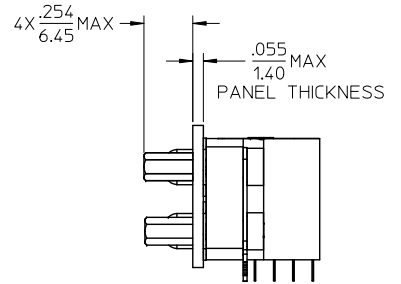
MATERIAL NO. 836199003	ENGINEERING NO. 83619-9003
---------------------------	-------------------------------



RECOMMENDED  
P.C.B. LAY-OUT  
SOLDER SIDE



RECOMMENDED  
PANEL CUT-OUT



<b>REDRAWN</b> EC NO: WNA2011-0064 CHKD: JIMMURPHY APPR: JIMMURPHY REV DESCRIPTION 2010/08/03 2010/12/06	QUALITY SYMBOLS	GENERAL TOLERANCES (UNLESS SPECIFIED)	DIMENSION STYLE IN/MM	SCALE 2:1	DESIGN UNITS INCH	THIRD ANGLE PROJECTION
	▽=0	4 PLACES ± --- ± ---	mm INCH	DRAWN BY JLOMASTR	DATE 04/09/20	TITLE DUAL CONN PLG RT ANG, COMM-D, SIZE 9
	▽=0	3 PLACES ± --- ± .005		CHECKED BY RDEROSS	DATE 04/09/27	
		2 PLACES ± 0.13 ± .01		APPROVED BY JFMURPHY	DATE 2010/12/06	
	1 PLACE ± 0.25 ± ---	ANGULAR ± 1/2°		MATERIAL NO. SEE CHART	DOCUMENT NO. SD-83619-008	SHEET NO. 2 OF 2
DRAFT WHERE APPLICABLE MUST REMAIN WITHIN DIMENSIONS		THIS DRAWING CONTAINS INFORMATION THAT IS PROPRIETARY TO MOLEX INCORPORATED AND SHOULD NOT BE USED WITHOUT WRITTEN PERMISSION				