

Excellent Integrated System Limited

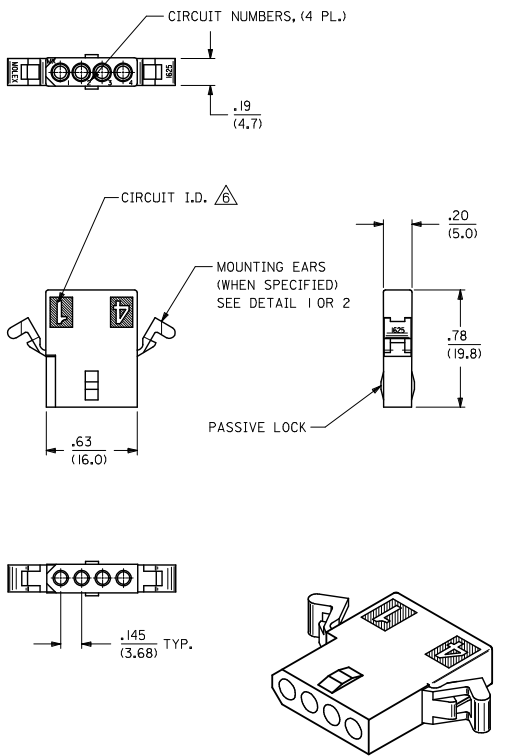
Stocking Distributor

Click to view price, real time Inventory, Delivery & Lifecycle Information:

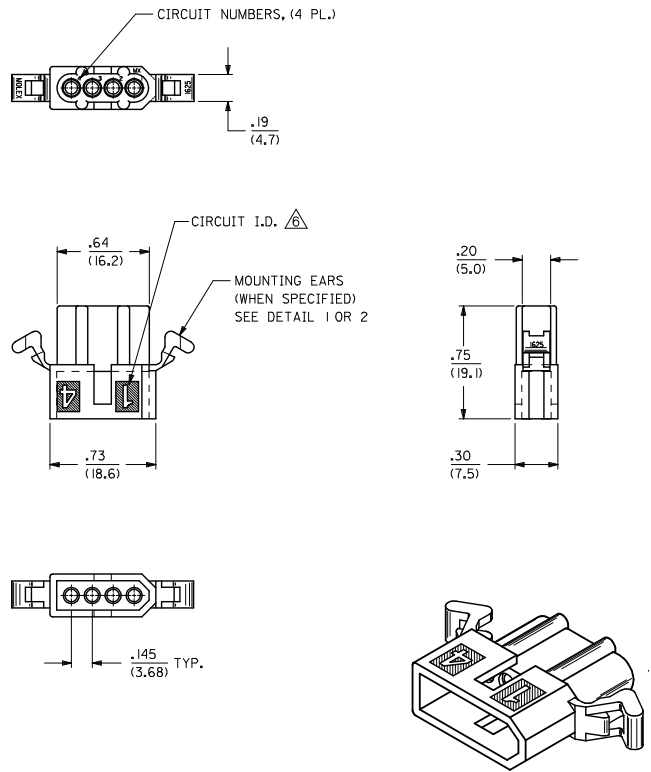
[Molex Connector Corporation](#)
[0050291758](#)

For any questions, you can email us directly:

sales@integrated-circuit.com



RECEPTACLE HOUSING



PLUG HOUSING

| | | | | | | | | |
|---|--------------------------------------|---------------------------------------|--------|--|--------------------|---|----------------------|------------------------|
| REMOVE RCPT. EAR NUB EC NO: UCP2014-2451 DRAWN BY: AELHAG CHKD BY: JBELL APPROVED BY: F SMITH R3 | QUALITY SYMBOLS ▽=0 ▽=0 ▽=0 | GENERAL TOLERANCES (UNLESS SPECIFIED) | | DIMENSION STYLE IN/MM | | SCALE --- | DESIGN UNITS INCH | THIRD ANGLE PROJECTION |
| | | mm | INCH | DRAWN BY AELHAG | DATE 2010/06/30 | TITLE PLUG & RECEPTACLE HOUSINGS, 4 CIRCUIT, .062 DIA., .145 CENTERS | | |
| | | 4 PLACES ± .010 | ± .010 | CHECKED BY JBELL | DATE 2012/01/23 | MOLEX INCORPORATED | | |
| | | 3 PLACES ± 0.25 | ± .014 | APPROVED BY F SMITH | DATE 2011/12/02 | SD-1625-4* | | SHEET NO. 1 OF 2 |
| | | 2 PLACES ± 0.36 | ± .014 | MATERIAL NO. | | DOCUMENT NO. | | |
| | | 1 PLACE ± 0.36 | ± .014 | SEE CHART | | THIS DRAWING CONTAINS INFORMATION THAT IS PROPRIETARY TO MOLEX INCORPORATED AND SHOULD NOT BE USED WITHOUT WRITTEN PERMISSION | | |
| | | ANGULAR ± 1° | | DRAFT WHERE APPLICABLE MUST REMAIN WITHIN DIMENSIONS | | | | |

| PLUG | | |
|------------|------------|----------|
| PART NO. | ENG. NO. | |
| 03-06-2041 | I625-4P | |
| 46999-0267 | I625-4P-1 | |
| 03-06-7041 | I625-4PBK | OBSOLETE |
| 03-06-2042 | I625-4P1 | |
| 03-06-7042 | I625-4P1BK | |
| 46999-0355 | I625-4P2 | |
| NOT TOOLED | I625-4P2BK | |
| 46999-0353 | I625-4P2-1 | |
| | | |

| RECEPTACLE | | |
|------------|------------|----------|
| PART NO. | ENG. NO. | |
| 03-06-1041 | I625-4R | |
| 03-06-6041 | I625-4RBK | OBSOLETE |
| 03-06-1042 | I625-4R1 | |
| 03-06-6042 | I625-4R1BK | |
| 50-29-1758 | I625-4R2 | |
| 46999-0266 | I625-4R2-1 | |
| 46999-0354 | I625-4R1-1 | |
| | | |

LEGEND:

1625-4***-*

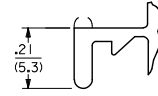
CIRCUIT SIZE

R = RECEPTACLE
P = PLUG

BLANK = WITH STANDARD MTG. EARS
1 = WITHOUT EARS
2 = WITH PREBENT MTG. EARS

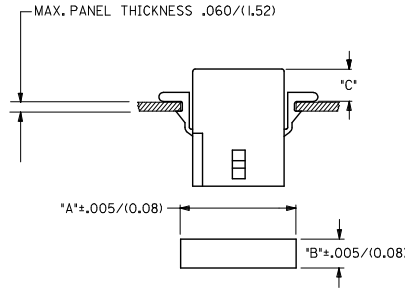
BLANK = NOT DYED
AM=AMBER BK=BLACK BU=BLUE
BN=BROWN GY=GRAY GN=GREEN
OR=ORANGE RD=RED YW=YELLOW

BLANK = MATERIAL CODE A
1 = MATERIAL CODE B



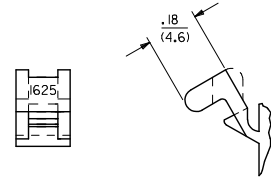
DETAIL 1

STANDARD MOUNTING EARS
(SCALE 4:1)



RECOMMENDED PANEL OPENING

| HOUSING | DIM. "A" | DIM. "B" | "C" PREBENT EAR | "C" STANDARD EAR |
|---------|--------------|-------------|-----------------|------------------|
| PLUG | .865/(21.97) | .312/(7.92) | .19/(4.8) | .18/(4.6) |
| RECEPT. | .785/(19.94) | .260/(6.60) | .21/(5.3) | .20/(5.1) |



DETAIL 2

PREBENT MOUNTING EARS
(SCALE 4:1)

NOTES:

- MATERIAL:
A = NYLON TYPE 6/6, 94V-2
B = NYLON PA6, UL94V-2, COLOR: NATURAL
IEC 60335-1, 4th EDITION, GLOW WIRE CAPABLE
- FINISH: N/A
- THIS PRODUCT COMPLIES WITH MOLEX PRODUCT SPECIFICATION PS-02-06
- PACKAGING: PK-1625-003.
- HOUSINGS FOR USE WITH MOLEX .062/(1.57) DIA. SERIES TERMINALS.
CIRCUIT I.D. NUMBERS ON SIDE OF HOUSING APPEAR ON PARTS FROM TOOLS BUILT AFTER 8/10/92. PARTS FROM TOOLS BUILT BEFORE THIS DATE WILL HAVE CIRCUIT I.D. RIBS ON HOUSING.
- PARTS CONFORM TO CLASS 'B' REQUIREMENTS OF COSMETIC SPECIFICATION PS-45499-002.

| | | | | | | | | |
|--|--------------------------------------|--|--|-------------------|--|---|--------------|------------------------|
| UPDATE REV. LEVEL IEC NO: UCP2014-2451 DRW: AELHAG 2013/12/12 CHKD: JEBELL 2013/12/12 APPR: FSMITH 2013/12/20 REV | QUALITY SYMBOLS ∇=0 ∇=0 ∇=0 | GENERAL TOLERANCES (UNLESS SPECIFIED) | | DIMENSION STYLE | | SCALE | DESIGN UNITS | THIRD ANGLE PROJECTION |
| | | | | IN/MM | | --- | INCH | ☉ |
| | | | | | | DRAWN BY | DATE | TITLE |
| | | 4 PLACES ± --- ± --- | | AELHAG 2010/06/30 | | PLUG & RECEPTACLE HOUSINGS, 4 CIRCUIT, .062 DIA., .145 CENTERS | | |
| | | 3 PLACES ± --- ± .010 | | CHECKED BY | | | | |
| | | 2 PLACES ± 0.25 ± .014 | | JBELL 2012/01/23 | | DATE | | MOLEX INCORPORATED |
| | | 1 PLACE ± 0.36 ± --- | | APPROVED BY | | DATE | | |
| | | ANGULAR ± 1° | | FSMITH 2011/12/02 | | MATERIAL NO. | | DOCUMENT NO. |
| | | DRAFT WHERE APPLICABLE MUST REMAIN WITHIN DIMENSIONS | | SEE CHART | | SD-1625-4* | | SHEET NO. 2 OF 2 |
| | | | | SIZE C | | THIS DRAWING CONTAINS INFORMATION THAT IS PROPRIETARY TO MOLEX INCORPORATED AND SHOULD NOT BE USED WITHOUT WRITTEN PERMISSION | | |