

## Excellent Integrated System Limited

Stocking Distributor

Click to view price, real time Inventory, Delivery & Lifecycle Information:

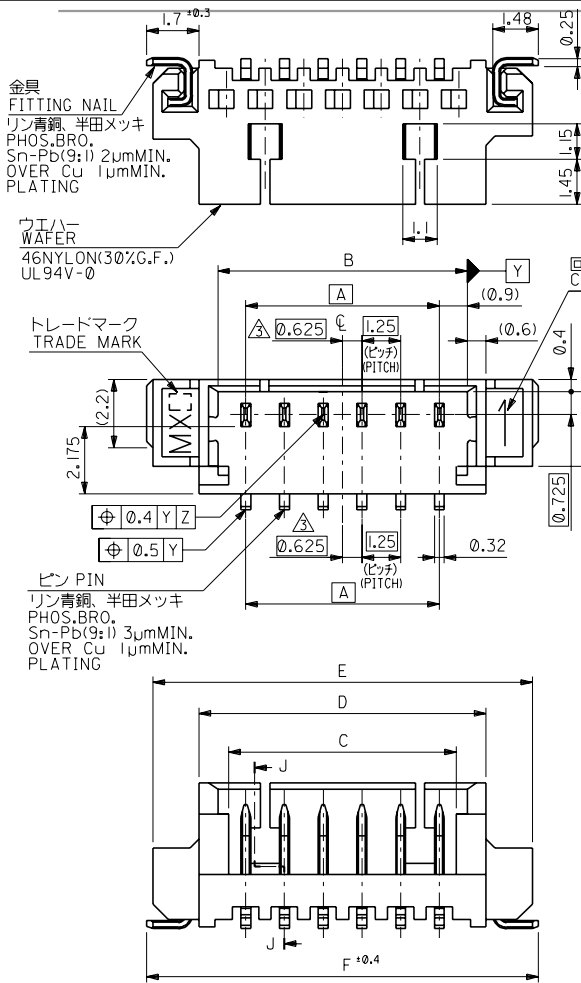
[Molex Connector Corporation](#)  
[53398-0290](#)

For any questions, you can email us directly:

[sales@integrated-circuit.com](mailto:sales@integrated-circuit.com)

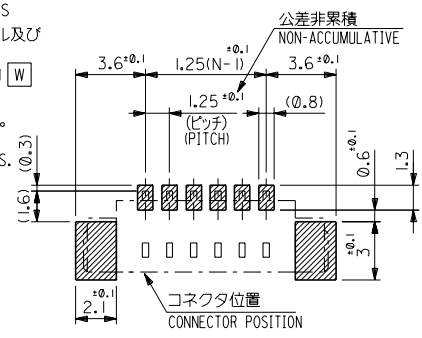
DWG. NO. SD-53398-\*\*-10

DIMENSIONS IN METRIC DO NOT SCALE DRAWING



**注記 NOTES**

1. 嵌合相手: 51021 シリーズ MATE WITH : 51021 SERIES
- △ 水平面上においての、ワエハー底面 W とソルダーテール及びフィッティングネイル底面とのズレ量を示す。  
MISALIGNMENT OF SOLDER TAIL & FITTING NAIL FROM W
- △ 偶数極にのみ適用。APPLY EVEN CIRCUIT PRODUCTS.
- △ ロック窓は、2、3極は1ヶ所、4極以上は2ヶ所とする。  
LOCKING WINDOW : ONE PLACE FOR 2&3 CKTS.  
TWO PLACES FOR MORE THAN 4 CKTS.



23.9	23.5	20.5	18.6	19.3	17.5	53398-1510	15
22.65	22.25	19.25	17.35	18.05	16.25	-1410	14
21.4	21	18	16.1	16.8	15	-1310	13
20.15	19.75	16.75	14.85	15.55	13.75	-1210	12
18.9	18.5	15.5	13.6	14.3	12.5	-1110	11
17.65	17.25	14.25	12.35	13.05	11.25	-1010	10
16.4	16	13	11.1	11.8	10	-0910	9
15.15	14.75	11.75	9.85	10.55	8.75	-0810	8
13.9	13.5	10.5	8.6	9.3	7.5	-0710	7
12.65	12.25	9.25	7.35	8.05	6.25	-0610	6
11.4	11	8	6.1	6.8	5	-0510	5
10.15	9.75	6.75	4.85	5.55	3.75	-0410	4
8.9	8.5	5.5	3.6	4.3	2.5	-0310	3
7.65	7.25	4.25	2.35	3.05	1.25	53398-0210	2
F	E	D	C	B	A	ENG. NO.	極数 NO. OF CKTS.

角度 ANGLE	+30
30 以上 OVER	+0.3
10 以上 OVER 30 未満 UNDER	+0.25
10 未満 UNDER	+0.2
一般公差 GENERAL TOLERANCES	

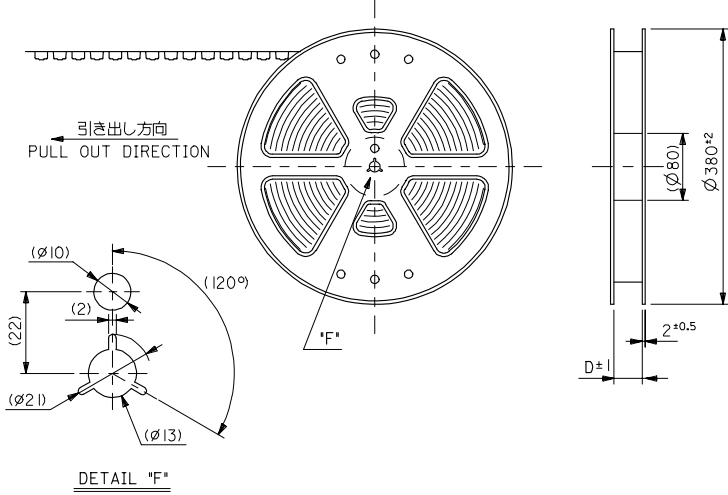
F	変更 REVISD	UC2000-0630	K.K.	00/3/30
E	変更 REVISD	UC2000-040	N.J.	91/1/15
D	変更 REVISD	UC2000-30	H.H.	93/10/15
C	変更 REVISD	UC2000-150	K.T.	93/1/29
B	変更 REVISD	UC2000-100	H.H.	93/6/18
A	変更 REVISD	UC2000-230	K.T.	93/3/12
0	新規作成 RELEASED	UC2000-290	K.T.	92/10/12
社号 LTR	変更内容 REVISION RECORD	DR	DATE	

材料 MATERIAL	図中参照 SEE DRAWING
仕上げ FINISH	—
適用電線範囲 WIRE RANGE	—
被覆外径 INS. RANGE	—
DRAWN BY '92/10/12	CHK'D BY '00/3/30
K.T.OJO	T.Y.AMAGUCHI
APP'D BY '00/3/30	尺度 SCALE
M.FUKUSHIMA	—

MOLEX-JAPAN CO.,LTD. 日本モレックス株式会社	
REVISE ONLY ON CAD SYSTEM	
TITLE 名称	
1.25 WIRE TO BOARD CONN. WAFER ASS'Y FOR SMT (ST.)	
DWG. NO.	REV
SD-53398-**-10	F

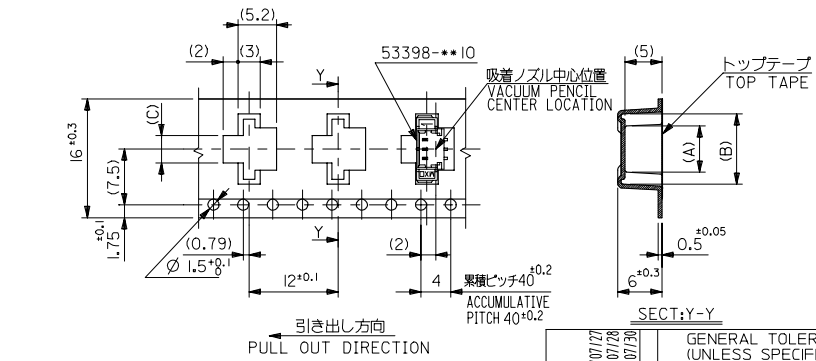
THIS DRAWING CONTAINS INFORMATION THAT IS PROPRIETARY TO MOLEX/JAPAN AND SHOULD NOT BE USED WITHOUT WRITTEN PERMISSION  
本図面は日本モレックス(株)の所有する情報を含むもので、当社の許可なく複製を禁止する。  
EN-01C(032)MXJ-32

10 9 8 7 6 5 4 3 2 1



**NOTES**

1. 梱包数量：1000個/リール  
NUMBER OF CONNECTOR: 1000PCS/REEL
2. リードテープ長さ  
LEAD TAPE LENGTH
3. トップテープの剥離強度：0.6±0.35N(60±35gf) (剥離方向は下図参照)  
PEELING OFF FORCE OF TOP TAPE: 0.6±0.35N(60±35gf)  
(PEELING DIRECTION IS SHOWN IN FOLLOWING FIG.)  
 <剥離速度：300mm/min(参考)>  
PEELING SPEED: 300mm/min (REFERENCE)
4. 53398-\*\*\*10 の詳細寸法については図面 SD-53398-\*\*\*10 を参照下さい。  
RE DETAILED DIMENSIONS, SEE SD-53398-\*\*\*10.
5. 材料 (MATERIAL)  
キャリアテープ (CARRIER TAPE): ポリプロピレン (POLYPROPYLENE)  
トップテープ (TOP TAPE): PET, PE, PEF  
リール (REEL): ポリスチレン (P.S.) <リサイクル材含む>  
POLYSTYREN(P.S.) <RECYCLE MATERIAL CONTAINED>



16	17.4	3.7	9.5	5.8	53398-0390	3
キャリアテープ幅 CARRIER TAPE WIDTH	D	(C)	(B)	(A)	53398-0290	種数 CKT.

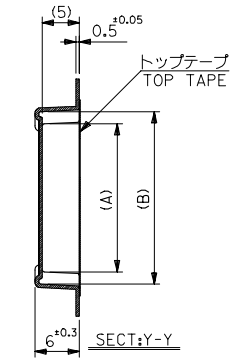
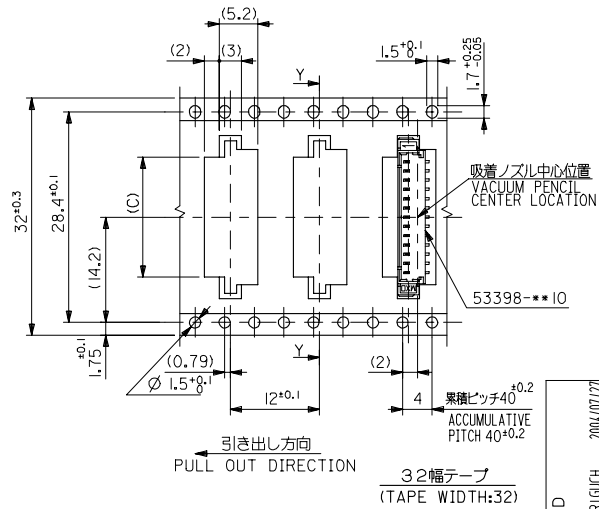
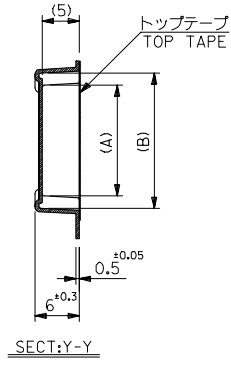
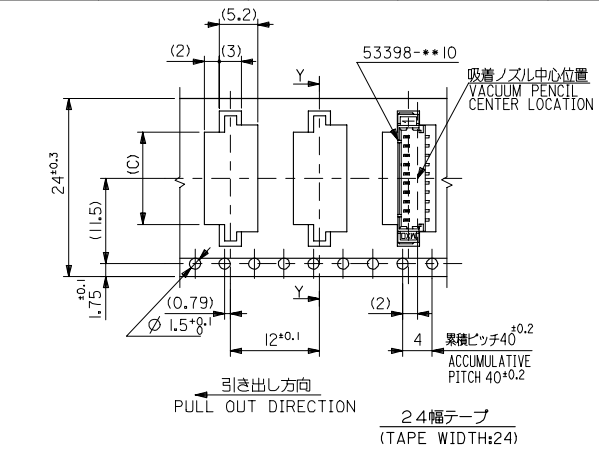
REVISED E.C. NO. T1: DRW: M. T. GUCH CH: KDK ASAKAWA APP: S. CHIKAWA DATE: 2004/07/28 DATE: 2004/07/30	GENERAL TOLERANCES (UNLESS SPECIFIED)		MM ONLY	SCALE ---	DESIGN UNITS METRIC	THIRD ANGLE PROJECTION
	10 UNDER	±0.2	DRAWN BY K. TOJO	DATE '93/04/13	1.25 W/B CONN. WAFER ASS'Y FOR SMT. EMBOSSED TAPE PACKAGE	
	10 OVER 30 UNDER	±0.25	CHECKED BY YAMAGUCHI	DATE '00/12/08		
	30 OVER	±0.3	APPROVED BY FUKUSHIM	DATE '00/12/08	MOLEX INCORPORATED	
	ANGULAR	±3°	MATERIAL NO. SEE CHART	DOCUMENT NO. SD-53398-***90	SHEET NO. 1 OF 3	
DRAFT WHERE APPLICABLE MUST REMAIN WITHIN DIMENSIONS		SIZE A3		THIS DRAWING CONTAINS INFORMATION THAT IS PROPRIETARY TO MOLEX INCORPORATED AND SHOULD NOT BE USED WITHOUT WRITTEN PERMISSION		

16幅テープ  
(TAPE WIDTH: 16)

10 9 8 7 6 5 4 3 2 1

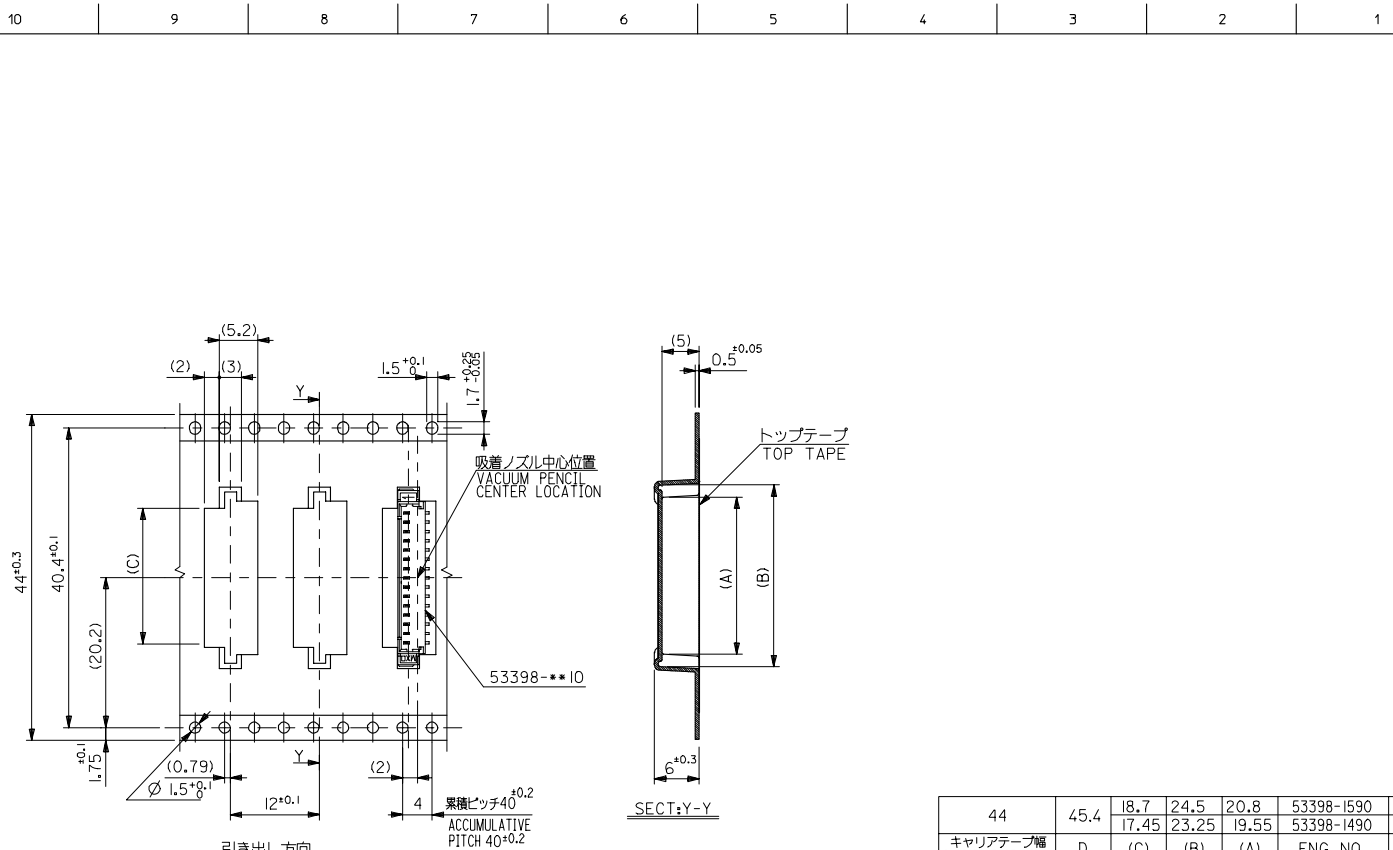
F  
E  
D  
C  
B  
A

F  
E  
D  
C  
B  
A



32	33.4	16.2	22	18.3	53398-1390	13
		14.95	20.75	17.05	-1290	12
24	25.4	13.7	19.5	15.8	-1190	11
		12.45	18.25	14.55	-1090	10
		11.2	17	13.3	-0990	9
		9.95	15.75	12.05	-0890	8
		8.7	14.5	10.8	-0790	7
		7.45	13.25	9.55	-0690	6
		6.2	12	8.3	-0590	5
		4.95	10.75	7.05	53398-0490	4
キャリアテープ幅 CARRIER TAPE WIDTH	D	(C)	(B)	(A)	ENG. NO.	種別 CKT.

REVISED EC NO: T1 DRWNER:GUCH CHKD:K ASAKAWA CHKD:K ASAKAWA APPR: S. CHIKAMA 2004/07/27 2004/07/28 2004/07/30	DESCRIPTION	GENERAL TOLERANCES (UNLESS SPECIFIED)	DIMENSION STYLE	SCALE	DESIGN UNITS	THIRD ANGLE PROJECTION
	10 UNDER	±0.2	MM ONLY	---	METRIC	
	10 OVER	±0.25				
	30 OVER	±0.3				
	ANGULAR	±3 °				
	DRAFT WHERE APPLICABLE MUST REMAIN WITHIN DIMENSIONS		MATERIAL NO.	DOCUMENT NO.	SHEET NO.	
			SEE CHART	SD-53398-***90	2 OF 3	
SIZE A3			THIS DRAWING CONTAINS INFORMATION THAT IS PROPRIETARY TO MOLEX INCORPORATED AND SHOULD NOT BE USED WITHOUT WRITTEN PERMISSION			



44	45.4	18.7	24.5	20.8	53398-1590	15
キャリアテープ幅 CARRIER TAPE WIDTH	D	(C)	(B)	(A)	53398-1490	14
					ENG. NO.	種別 CKT.

REVISED EC NO: DRAWN BY: CHKD BY: APPRES: REV	2004/07/27	GENERAL TOLERANCES (UNLESS SPECIFIED)	MM ONLY	SCALE ---	DESIGN UNITS METRIC	THIRD ANGLE PROJECTION
	2004/07/28	10 UNDER ±0.2	DRAWN BY K. TOJO	DATE '93/04/13	TITLE 1.25 W/B CONN. WAFER ASS'Y FOR SMT. EMBOSSD TAPE PACKAGE	
	2004/07/30	10 OVER 30 UNDER ±0.25	CHECKED BY YAMAGUCHI	DATE '00/12/08	MOLEX INCORPORATED	
		30 OVER ±0.3	APPROVED BY FUKUSHIM	DATE '00/12/08	MATERIAL NO. SEE CHART	
		ANGULAR ±3 °	DOCUMENT NO. SD-53398-**90		SHEET NO. 3 OF 3	
		DRAFT WHERE APPLICABLE MUST REMAIN WITHIN DIMENSIONS	SIZE A3 THIS DRAWING CONTAINS INFORMATION THAT IS PROPRIETARY TO MOLEX INCORPORATED AND SHOULD NOT BE USED WITHOUT WRITTEN PERMISSION			