

## Excellent Integrated System Limited

Stocking Distributor

Click to view price, real time Inventory, Delivery & Lifecycle Information:

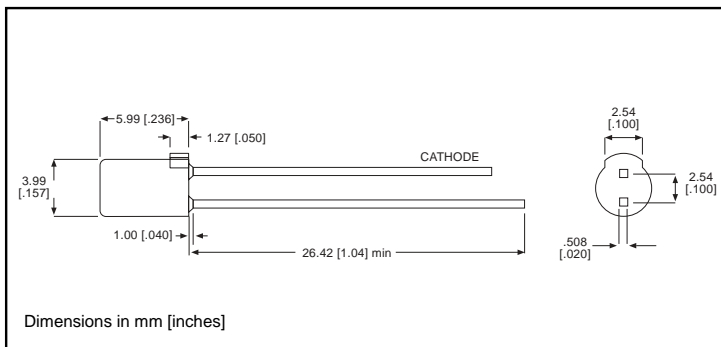
[Dialight](#)  
[5219706F](#)

For any questions, you can email us directly:  
[sales@integrated-circuit.com](mailto:sales@integrated-circuit.com)

**4mm Discrete LED  
 Flat Top  
 Tinted, Diffused**

**Dialight**

**521-970x**



<u>PART NO.</u>	<u>COLOR</u>
521-9706	Red
521-9707	Yellow
521-9708	Green

<b>ABSOLUTE MAXIMUM RATINGS</b> ( $T_A=25^\circ\text{C}$ )	Red	Yellow	Green
	<b>-9706</b>	<b>-9707</b>	<b>-9708</b>
Power Dissipation (mW)	100	60	100
Derating (mA/°C) From 50°C	.4	.25	.4
Forward Current (mA)	30	20	30
Peak Current (mA) <i>Pulse width = 100µs</i>	120	80	120
Operating Temperature (°C)	-55/+100	-55/+100	-55/+100
Storage Temperature (°C)	-55/+100	-55/+100	-55/+100
Soldering Temperature	260°C, 5 seconds, 1.6 mm from case		

Solder Adherence per MIL-STD-202E, Method 208C

<b>OPERATING CHARACTERISTICS</b> ( $T_A=25^\circ\text{C}$ )		Red	Yellow	Green
		<b>-9706</b>	<b>-9707</b>	<b>-9708</b>
Luminous Intensity (mcd)	Min.	2.5	5.6	8.7
	Typical	8.7	8.7	12.6
Peak Wavelength (nm)	Typical	630	585	565
Viewing Angle ( $2\theta \frac{1}{2}$ )	Typical	145°	150°	150°
Forward Voltage (V)	Typical	2	2.1	2.1
	Max.	2.8	2.8	2.8
Reverse Voltage (V), $I_R=100\mu\text{A}$	Min.	5	5	5

$\theta \frac{1}{2}$  is the off axis angle at which the luminous intensity is half the axial luminous intensity

**5**