

Excellent Integrated System Limited

Stocking Distributor

Click to view price, real time Inventory, Delivery & Lifecycle Information:

[Dialight](#)
[5532232802F](#)

For any questions, you can email us directly:
sales@integrated-circuit.com



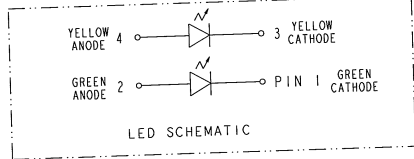
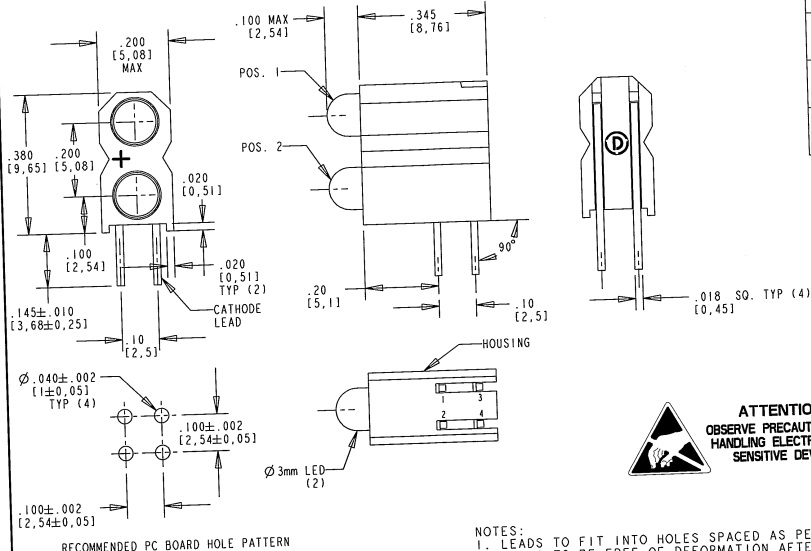
Distributor of Dialight: Excellent Integrated System Limited
 Datasheet of 5532232802F - LED CBI 3MM BI-LVL Y/G WATER CLR

REV	ECN NO	REVISIONS	DRN	CHK	APP	DATE
A		NEW RELEASE	TWC	N.O.	MES	2-8-06
B		UPDATED YELLOW LED SPECIFICATIONS	SM	N.O.	MES	2-8-06
C		*.10" WAS ".100" L2X1. * .20" WAS ".200" MAX GREEN LUM. INT. * .710" WAS ".1120" GREEN TEST COND. * IF = 10mA" WAS "IF = 20mA". ADDED METRIC DIMS. REMOVED ".115±.010". ".200" WAS ".800".	KLJ	W.D.		4/4/08

PART NUMBER	LED COLOR	
	POSITION 1	POSITION 2
553-2232-802F	AlInGaP YELLOW WATER CLEAR	InGaN GREEN WATER CLEAR

ABSOLUTE MAXIMUM RATINGS AT 25°C AMBIENT	AlInGaP YELLOW	InGaN GREEN	UNITS
DERATE LINEARLY FROM 70°C YELLOW / 65°C GREEN	0.4	0.57	mA/°C
CONTINUOUS FORWARD CURRENT	30	20	mA
PEAK FORWARD CURRENT (1/10 DUTY CYCLE, 0.1 ms PULSE WIDTH)	60		mA
PEAK FORWARD CURRENT ≤ 10ms, D=0.005		250	mA
OPERATING TEMPERATURE	-40 TO +100	-55 TO +100	°C
STORAGE TEMPERATURE	-55 TO +100		°C
POWER DISSIPATION	75	80	mW

OPERATING CHARACTERISTICS AT 25°C AMBIENT						
CHARACTERISTICS	MIN	TYP	MAX	UNITS	TEST CONDITIONS	
LUMINOUS INTENSITY	GREEN	280		710	mc d	I _f = 10 mA
	YELLOW	180	320			I _f = 20 mA
FORWARD VOLTAGE	GREEN	2.7	3.0	3.7	V	I _f = 10 mA
	YELLOW		2.0	2.4		I _f = 20 mA
REVERSE CURRENT	GREEN		0.01	10	µA	V _r = 5 V
	YELLOW			100		
PEAK WAVELENGTH	GREEN		523		nm	I _f = 10 mA
	YELLOW		588			I _f = 20 mA
DOMINANT WAVELENGTH	GREEN	523	532	541	nm	I _f = 10 mA
	YELLOW	586	589	592		I _f = 20 mA
VIEWING ANGLE	GREEN		30		Degree	
	YELLOW		56			



RoHS Compliant 553-2232-802F Bi-Level Thru Hole CBI
 Part Numbers with the "F" suffix ending are RoHS Compliant. Packaging is marked with "RoHS Compliant" label or equivalent markings. Parts can be wave soldered, dip soldered or hand soldered using typical lead-free soldering process with max 260°C temp. for 5 sec.



- NOTES:
- LEADS TO FIT INTO HOLES SPACED AS PER HOLE PATTERN.
 - LEADS TO BE FREE OF DEFORMATION AFTER BENDING AND CUTTING.
 - PIN NUMBERS FOR REFERENCE ONLY, DESIGNATION NON-EXISTANT ON PART.
 - DIALIGHT PART NUMBER 553-2232-802F
 - THIS ASSEMBLY CONTAINS ELECTROSTATIC DISCHARGE SENSITIVE DEVICES (ESDS). MAINTAIN ALL PRECAUTIONARY MEASURES DURING ASSEMBLY. HANDLING AND STORAGE IN ACCORDANCE WITH IPC-A-610.

SCALE: DRAWING SCALE: ALL DIMS IN INCHES UNLESS OTHERWISE SPECIFIED		DRAWING NUMBER	REV
TOLERANCES: UNLESS OTHERWISE SPECIFIED		C-17359	C
FRACTIONS: ±1/64		TITLE	BI-LEVEL CBI
DECIMALS (.XXX): ±.01		RoHS COMPLIANT	
DECIMALS (.XXXX): ±.005		MATERIAL	
DECIMALS (.XXXXX): ±.0005		Dialight	
ANGLES: ±1°		1501 ROUTE 34 SOUTH FARMINGDALE, NJ 07727	
FINISH:		FSCM	83330
		SHEET 1 OF 1 FAMILY TABLE	