

Excellent Integrated System Limited

Stocking Distributor

Click to view price, real time Inventory, Delivery & Lifecycle Information:

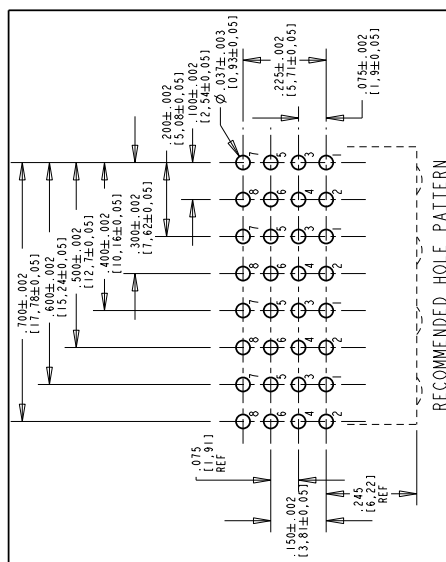
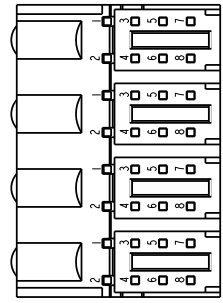
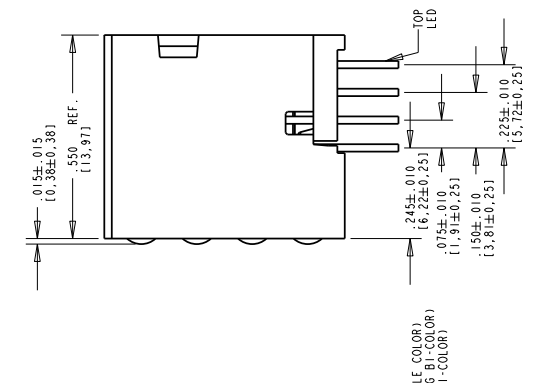
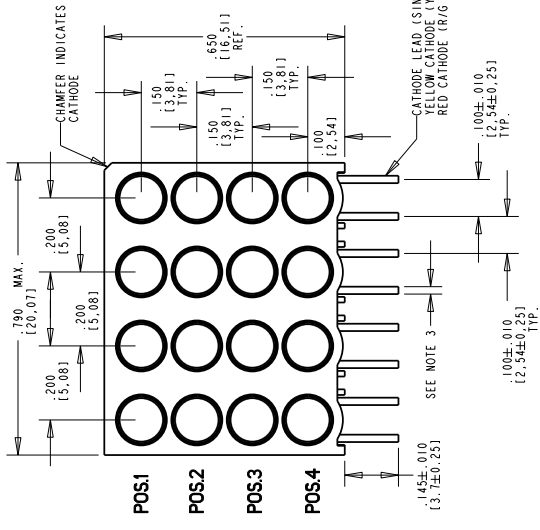
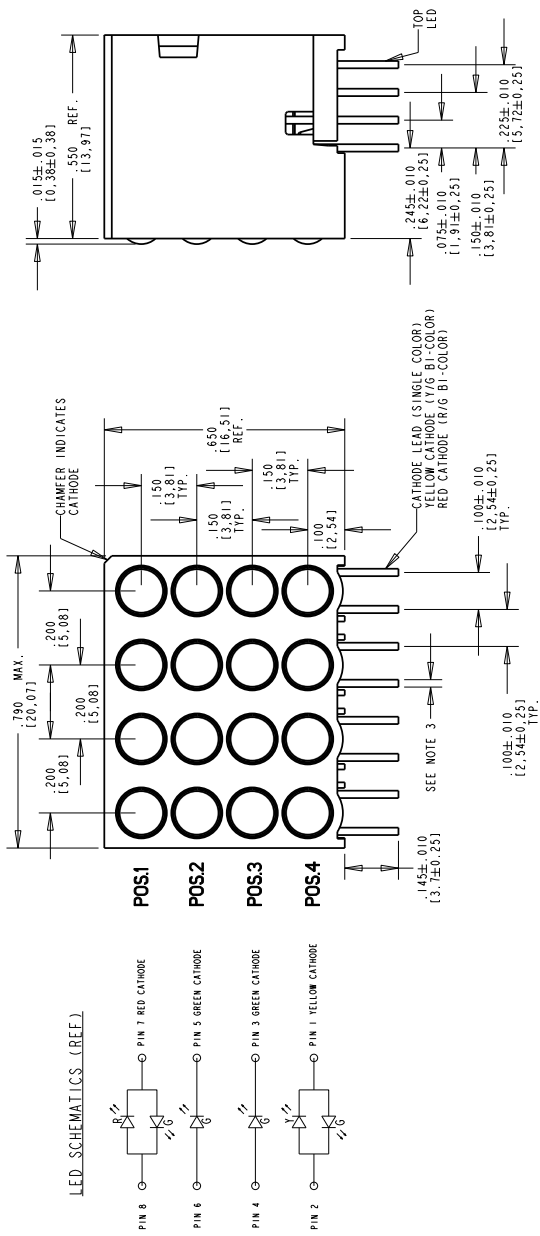
[Dialight](#)
[5680016821F](#)

For any questions, you can email us directly:
sales@integrated-circuit.com

REV	EDN NO	REVISIONS	DRN	CD	APP	DATE
A		NEW RELEASE	TNC	NO	MES	11-12-05
B	06060201	CORRECTED DIMENSIONS IN THE RECOMMENDED HOLE PATTERN TO MATCH ACTUAL LEAD PATTERN				

NOTES:
 1- LEADS TO FIT INTO HOLES SPACED AS PER HOLE PATTERN
 2- LEADS TO BE FREE OF DEFORMATION AFTER BENDING AND CUTTING
 3- 0.20mm NOM. (POS. 1)
 4- 0.18 X .016 NOM. (POS. 2, 3, 4)
 5- PACKAGING - BLOCKS PLACED IN CLEAR ANTI-STATIC TRAY
 6- DIALIGHT PART NUMBER = 568-0016-821F

LED COLOR
POS. 1 RED / GREEN, BI-COLOR
POS. 2 GREEN
POS. 3 GREEN
POS. 4 YELLOW / GREEN BI-COLOR



CHARACTERISTICS	OPERATING CHARACTERISTICS AT 25°C AMBIENT			TEST CONDITIONS		
	COLOR	MIN	TYP	MAX	UNITS	TEST CONDITIONS
LUMINOUS INTENSITY	RED/GREEN	4.7	12.6		mc	$I_f = 10 \text{ mA}$
	RED/GREEN	2.5/3.7	4.7/10.0			
FORWARD VOLTAGE	RED/GREEN	2.1	2.8		V	$I_f = 20 \text{ mA}$
	YELLOW/GREEN	2.0/2.1	2.8			
PEAK WAVELENGTH	RED/GREEN		565		nm	
	RED/GREEN		635/565			
VIEWING ANGLE (2 θ 1/2)	RED/GREEN		60		Degree	
	YELLOW/GREEN		80			
REVERSE CURRENT	RED/GREEN		100		mA	$V_r = 5 \text{ V}$
	YELLOW/GREEN					

ABSOLUTE MAXIMUM RATING AT 25°C AMBIENT	GREEN			RED/GRN			YEL/GRN		
	POWER DISSIPATION	DERATE LINEARLY FROM 50°C	CONTINUOUS FORWARD CURRENT	PEAK FORWARD CURRENT (1/10 DUTY CYCLE, 0.1 ms PULSE WIDTH)	REVERSE VOLTAGE	LEAD SOLDERING TEMPERATURE, 5 SEC., 1/16" FROM BODY	OPERATING TEMPERATURE	STORAGE TEMPERATURE	
	100	100	60/100	100	100	60/100	mW		
	0.4	0.4	0.25/0.4	30	30	20/30	mA/°C		
				120	120	80/120	mA		
				5	5	5	V		
				-55 TO +100	-55 TO +100	-55 TO +100	°C		

RoHS Compliant 568-0016-821F 4 X 4 Thru hole CBI
 Part Numbers with the "F" suffix ending are RoHS Compliant.
 Packaging is marked with "RoHS Compliant" label or equivalent markings.
 Parts can be wave soldered, dip soldered or hand soldered using typical lead-free soldering process with max. 260 °C temp. for 5 sec.

SCALE: 4:000	DRAWING NUMBER	REV
	C-17327	B
TOLERANCES: UNLESS OTHERWISE SPECIFIED	TITLE	
FRACTIONS: 1/16, 1/32	(4 X 4) CBI BLOCK	
DECIMALS: 0.005	MATERIAL	
ANGLES: 45°		
FINISH:		
FSCN: 83330		

THIS DRAWING AND THE CONTENTS HEREIN ARE CONFIDENTIAL AND THE SOLE PROPERTY OF DIALIGHT. REPRODUCTION OF THIS DRAWING OR ANY INFORMATION CONTAINED HEREIN WITHOUT THE WRITTEN CONSENT OF DIALIGHT IS PROHIBITED.

Dialight
 1501 ROUTE 34 SOUTH
 FARMINGDALE, NJ 07171