

Excellent Integrated System Limited

Stocking Distributor

Click to view price, real time Inventory, Delivery & Lifecycle Information:

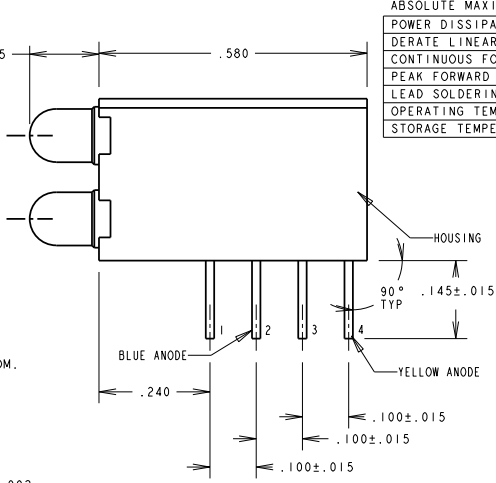
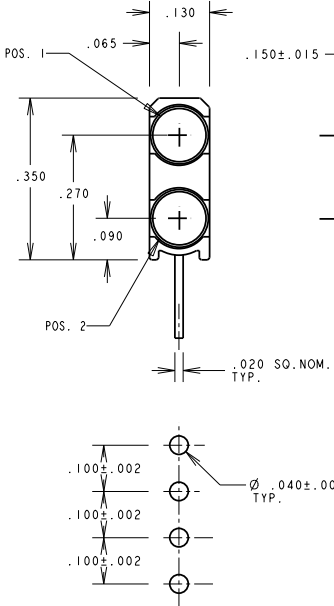
[Dialight](#)
[5690714804F](#)

For any questions, you can email us directly:
sales@integrated-circuit.com

PART NUMBER	LED COLOR	
	POSITION 1	POSITION 2
569-0714-804F	YELLOW/GREEN	BLUE

OPERATING CHARACTERISTICS AT 25°C AMBIENT						
LED CHARACTERISTICS	COLOR	MIN.	TYP.	MAX.	UNITS	TEST CONDITIONS
LUMINOUS INTENSITY	GREEN	2.5	6.3			If = 10 ma
	YELLOW	2.5	4.3			
	BLUE	7.1	12.5	18.0	mc d	
FORWARD VOLTAGE	GREEN		2.1	2.8		If = 10 ma
	YELLOW		2.1	2.8	V	
	BLUE		3.5	4.1		
PEAK WAVELENGTH (λ _d)	GREEN		565			
	YELLOW		585		nm	
	BLUE		428			
DOMINANT WAVELENGTH (λ _d)	GREEN		569			Y/G MEASURED ON EXELTRON 2001
	YELLOW (Y3)	585		589		
	YELLOW (Y2)	583		587	nm	
	BLUE	462		468		
VIEWING ANGLE (2θ 1/2)	GREEN		80			DEGREES
	YELLOW		80			
	BLUE		70			

REV.	ECN NO.	REVISIONS	DRN.	CKD.	APP.	DATE
A		NEW RELEASE	TWC			



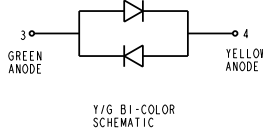
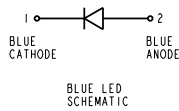
ABSOLUTE MAXIMUM RATINGS AT 25 °C AMBIENT				
	GREEN	YELLOW	BLUE	UNITS
POWER DISSIPATION	100	60	90	mW
DERATE LINEARLY FROM 50 °C	0.4	0.25	0.44	mA/ °C
CONTINUOUS FORWARD CURRENT	30	20	20	mA
PEAK FORWARD CURRENT (1/10 DUTY CYCLE, 0.1 ms PULSE WIDTH)	120	80		mA
LEAD SOLDERING TEMPERATURE, 5 SEC., 1/16" FROM BODY	260			°C
OPERATING TEMPERATURE	-55 TO +100			°C
STORAGE TEMPERATURE	-55 TO +100			°C

- NOTE:
- LED LEAD SPACING MEASURED AT HOUSING EXIT.
 - PIN NUMBERS FOR REFERENCE ONLY, DESIGNATION NON-EXISTENT ON PARTS.
 - DIALIGHT PART NUMBER: 569-0714-804F.
 - THIS ASSEMBLY CONTAINS ELECTROSTATIC DISCHARGE SENSITIVE DEVICES (ESDS). MAINTAIN ALL PRECAUTIONARY MEASURES DURING ASSEMBLY, HANDLING AND STORAGE IN ACCORDANCE WITH IPC-A-610.
 - THIS PRODUCT IS Pb FREE. IT IS IN COMPLIANCE WITH THE EUROPEAN UNION'S RoHS DIRECTIVE. EACH BAG AND REEL IS MARKED WITH THE RoHS COMPLIANT LABEL P/N 9100-117-0852-99 OR EQUIVALENT



ATTENTION:
OBSERVE PRECAUTIONS FOR
HANDLING ELECTROSTATIC
SENSITIVE DEVICES

RECOMMENDED P.C. BOARD HOLE PATTERN



THIS DRAWING AND THE CONTENTS HEREIN ARE CONFIDENTIAL AND THE SOLE PROPERTY OF DIALIGHT. REPRODUCTION OF THIS DRAWING OR CONSTRUCTION OF ANY PARTS WITHIN THIS DRAWING ARE FORBIDDEN WITHOUT THE WRITTEN CONSENT OF DIALIGHT.		
SCALE: DRAWING SCALE	DRAWING NUMBER	REV
TOLERANCES: UNLESS OTHERWISE SPECIFIED	C-17249	A
FRACTIONS: ±1/64	TITLE	
DECIMALS (.XX): ±.01	3mm HI-DENSITY BI-LEVEL CBI Y/G BLUE	
DECIMALS (.XXX): ±.005	MATERIAL	
ANGLES: ±1°		
FINISH:	Dialight	1501 ROUTE 34 SOUTH, FARMINGDALE, NJ 07727
FSCM 83330	SHEET 1 OF 1	FAMILY TABLE: