

Excellent Integrated System Limited

Stocking Distributor

Click to view price, real time Inventory, Delivery & Lifecycle Information:

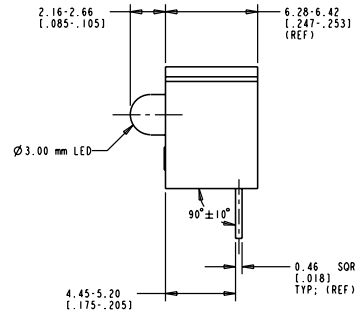
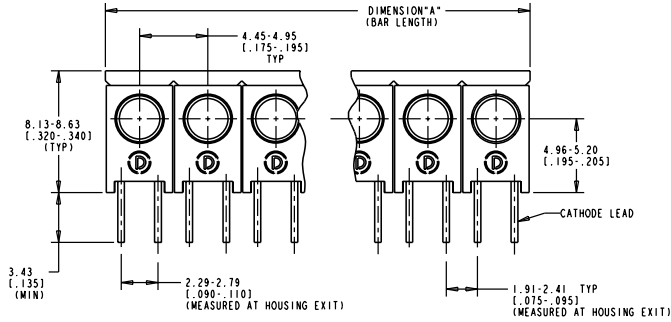
[Dialight](#)
[HLMP1700102F](#)

For any questions, you can email us directly:
sales@integrated-circuit.com

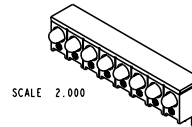
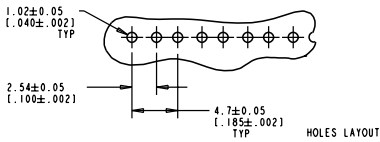
OPERATING CONDITIONS @ Ta = 25°C						
COLOR	FORWARD VOLTAGE (VF)		REVERSE VOLTAGE	PEAK-WAVELENGTH (nm)		LUMINOUS INTENSITIES (lmcd)
	TYP	MAX		TYP	MIN	
RED	1.8	2.2	5 V @ I _r = 50 µA	635	1.0	1.0
YELLOW	1.9	2.7		583	1.0	1.6
GREEN	1.8	2.2		565	1.0	1.6
TEST CONDITIONS						
I _f = 2 mA						

MAXIMUM RATINGS			
	RED	YELLOW	GREEN
POWER DISSIPATION	24 mW	36 mW	24 mW
D.C. FORWARD CURRENT	7.0 mA	7.0 mA	7.0 mA
VIEWING ANGLE	50°	50°	50°
OPERATING TEMPERATURE	-55°C TO 100°C	-55°C TO 100°C	-20°C TO 100°C
STORAGE TEMPERATURE	-55°C TO 100°C	-55°C TO 100°C	-55°C TO 100°C
LEAD SOLDERING TEMPERATURE	260°C FOR 5 SEC	260°C FOR 5 SEC	260°C FOR 5 SEC

DIALIGHT PART NUMBER	COLOR	NUMBER OF POSITIONS	DIMENSION "A" (BAR LENGTH) METRIC, (INCHES)
HLMP-1700-102	2 mA RED DIFFUSED	2	8.16-9.65, (.321-.380)
HLMP-1700-104	2 mA RED DIFFUSED	4	18.54-19.02, (.730-.749)
HLMP-1700-105	2 mA RED DIFFUSED	5	23.27-23.72, (.916-.934)
HLMP-1700-108	2 mA RED DIFFUSED	8	37.39-37.72, (1.472-1.485)
HLMP-1719-102	2 mA YELLOW DIFFUSED	2	8.16-9.65, (.321-.380)
HLMP-1719-104	2 mA YELLOW DIFFUSED	4	18.54-19.02, (.730-.749)
HLMP-1700-102	2 mA GREEN DIFFUSED	2	8.16-9.65, (.321-.380)
HLMP-1700-103	2 mA GREEN DIFFUSED	3	13.38-14.22, (.526-.560)
HLMP-1700-104	2 mA GREEN DIFFUSED	4	18.54-19.02, (.730-.749)
HLMP-1700-105	2 mA GREEN DIFFUSED	5	23.27-23.72, (.916-.934)
HLMP-1700-108	2 mA GREEN DIFFUSED	8	37.39-37.72, (1.472-1.485)



DIMENSIONS:
mm
[inches]



SCALE 2.000

REV	ECN NO.	REVISIONS	DRN	END APP.	DATE
A		NEW RELEASE			

SCALE: INCHES		DRAWING NUMBER		REV
ALL DIM'S TO UNLESS SPECIFIED		C-16479		SEE CHART
FUNCTION: ARRAY	TITLE: Ø 3.00 mm CBI ARRAY, 12 mA RED, GREEN, YELLOW			
DIMENSIONS: SEE DRN	MATERIAL:			
FINISH: 8-1000	Dialight	1912 ATLANTIC AVE. MANASSAS, N.J. 08106		
PACH 83330	SHEET OF FAMILY TABLE:			