

Excellent Integrated System Limited

Stocking Distributor

Click to view price, real time Inventory, Delivery & Lifecycle Information:

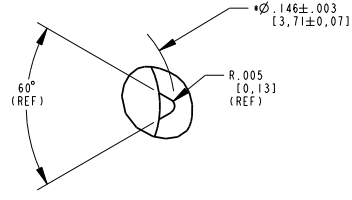
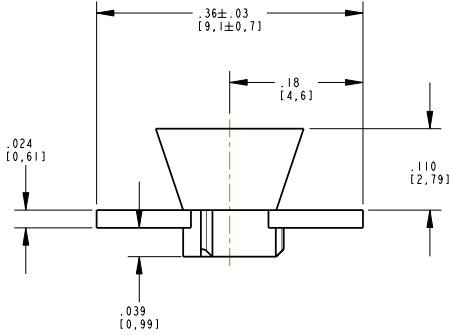
[Dialight](#)
[5151033801F](#)

For any questions, you can email us directly:
sales@integrated-circuit.com

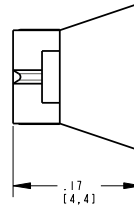
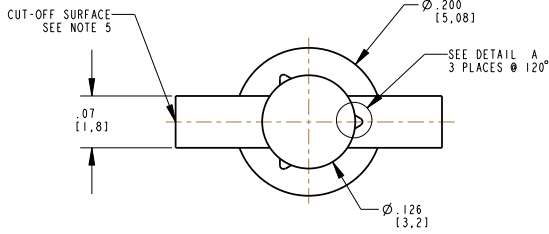
NOTES:

1. UNLESS OTHERWISE SPECIFIED, ALL SURFACES MUST HAVE FINISH OF SPI A1 TO A2.
2. UNLESS OTHERWISE SPECIFIED, SINK MARKS & KNOCKOUT MARKS NOT TO EXCEED .003 RECESSED.
3. FLASH NOT TO EXCEED .005.
4. NO BUBBLES IN LIGHTPATH GREATER THAN .003.
5. MAKE FROM 515-1033F WITH PERMISSIBLE IRREGULAR CUT-OFF VESTIGE ALLOWABLE.
6. UNLESS OTHERWISE SPECIFIED, .003 ROUNDS & FILLETS PERMISSABLE
7. UNLESS OTHERWISE SPECIFIED, 2 DEGREE DRAFT PERMISSIBLE.
8. MATERIAL TO BE CLEAR, TRANSMISSIVE POLYCARBONATE UL 94V-0 OR EQUIVALENT, AS SPECIFIED BY DIALIGHT ENGINEERING DEPT.
9. * DENOTES CRITICAL DIMENSION OR SPECIFICATION.
10. DIALIGHT PART NUMBER 515-1033-801F.
12. RECOMMEND PANEL HOLE DIAMETER .141±.002. PANEL THICKNESS .039 FOR FLUSH MOUNTING.

REV	ECN NO	REVISIONS	DRN	CKD	APP	DATE
A		NEW RELEASE		TWC		



DETAIL A
SCALE 16.000



THIS DRAWING AND THE CONTENTS HEREIN ARE CONFIDENTIAL AND THE SOLE PROPERTY OF DIALIGHT. REPRODUCTION OF THIS DRAWING OR CONSTRUCTION OF ANY PARTS WITHIN THIS DRAWING ARE FORBIDDEN WITHOUT THE WRITTEN CONSENT OF DIALIGHT.	
SCALE: 7.000	DRAWING NUMBER
ALL DIM'S IN: INCHES (MM)	C-17355
TOLERANCES: UNLESS OTHERWISE SPECIFIED	REV
FRACTIONS: ±1/64	A
DECIMALS (.XX): ±.01	TITLE
DECIMALS (.XXX): ±.005	1 ELEMENT LIGHTPIPE
DECIMALS (.XXXX): ±.0005	RoHS COMPLIANT
ANGLES: ±1°	MATERIAL
FINISH:	POLYCARBONATE
FSCM	Dialight 1501 ROUTE 34 SOUTH FARMINGDALE, NJ 07727
83330	SHEET 1 OF 1 FAMILY TABLE: