



Excellent Integrated System Limited

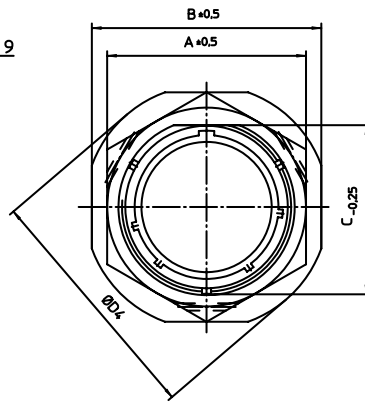
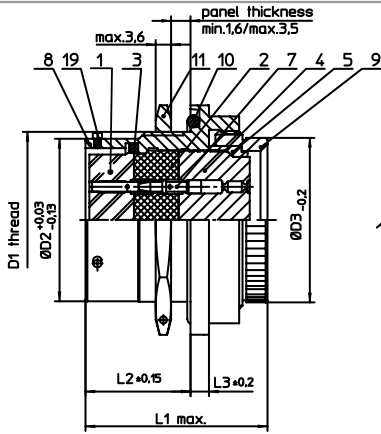
Stocking Distributor

Click to view price, real time Inventory, Delivery & Lifecycle Information:

[ITT Cannon, LLC](#)
[MS3124E12-3SY](#)

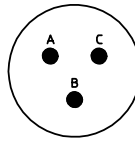
For any questions, you can email us directly:

sales@integrated-circuit.com



| NO. | MASSE / DIMENSION |
|-----|-------------------|
| A | 27 |
| B | 32 |
| C | 20.75 |
| D1 | 7/8-20UNEF-2A |
| D2 | 19.05 |
| D3 | 19.3 |
| D4 | 36 |
| E | 0.46 |
| K | 3.89 |
| L1 | 34 |
| L2 | 17.7 |
| L3 | 3.2 |

| NO. | BESCHREIBUNG / DESCRIPTION |
|-----|---|
| 1 | ISOLIERKÖRPER BUCHSE / INSULATOR SOCKET |
| 2 | ISOLIERKÖRPER MITTE / WAVER |
| 3 | DICHRING / GASKET |
| 4 | DICHTKÖRPER / GROMMET |
| 5 | ENDRING / ENDRING |
| 7 | KONTAKT BUCHSE / CONTACT SOCKET |
| 8 | GEHÄUSE / RECEPTACLE |
| 9 | ENDGEHÄUSE / ENDBELL |
| 10 | O-RING / O-RING |
| 11 | SECHSKANTMUTTER / HEX NUT |
| 19 | BAYONETTSTIFT / BAYONET PIN |



Note: Due to an automatic nomenclature system, numbers generated may not be sequential.

Specification and Dimensions subject to change
Drawings illustrate normal insulator positioning

| |
|---|
| Material Specification: |
| Shell Material: Aluminium alloy |
| Shell Plating: Olive drab chromate over cadmium plating |
| Insulator Material: Polychloroprene |
| Contact Material: Copper alloy, gold plated |
| Contact Plating: Copper alloy, gold plated |

all dimensions are in mm
Dimensions without tolerance indications are general tolerances in acc. with DIN7168m

drawing for
CUSTOMER



description MS3124E123SY
Jam nut receptacle
Grommet seal
Crimp Contacts / Socket / Layout: 12-3

© All rights reserved. Reproduction or issue in third in any form
whenever is only permitted with written authorization of ITT Cannon

page 1/1
revision 1012.5, Jul 16