

Excellent Integrated System Limited

Stocking Distributor

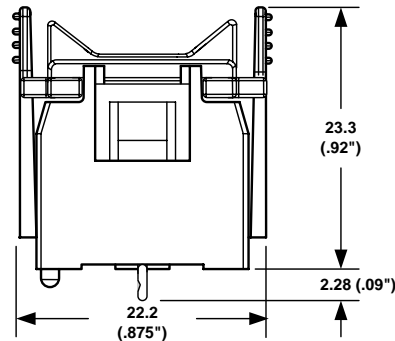
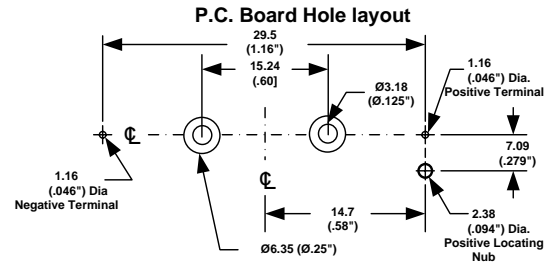
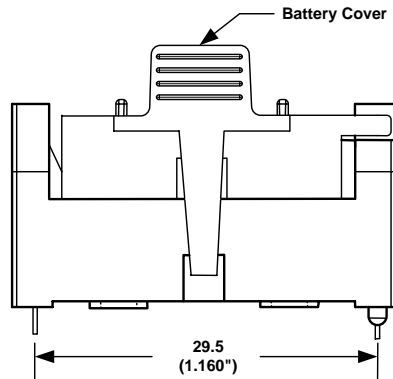
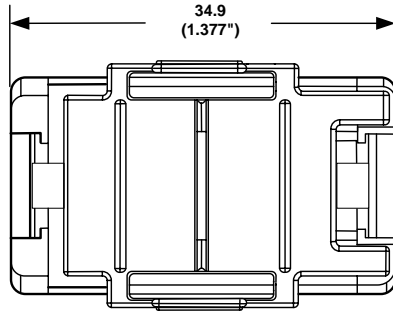
Click to view price, real time Inventory, Delivery & Lifecycle Information:

[Memory Protection Devices](#)
[BA1/2AAPC](#)

For any questions, you can email us directly:

sales@integrated-circuit.com

DATE	SYM	REVISION RECORD	AUTH	DR.	CK.
4/17/09	A	ADDED DISTANCE BETWEEN MOUNTING HOLES	T.B.	B.S.	



SPECIFICATIONS

Material:

Holder: P/N.ABG-135, BA1/2AA, Self extinguishing thermoplastic, PBT, black
 Flammability Rating: UL94 V-0, File No. E56070 (S)
 Dielectric Strength: 560 volts/mil at 25°C for 5 sec
 Temperature Range: -55°C to 180°C
 Resistance to Solvent: Xylene, Ethyl, Butyl, Methyl, Propyl Alcohol, Ethyl Acetate, Refrigerants, Heptane & Toluene
 Contacts: P/N.ABG-140, BC1/2AA, 302 Spring Tempered Stainless Steel Nickel Plated
 Cover: P/N.0894-1, CBA1/2AA, UL94 V-0, File No. E41797 (M)
NOTE: Eyelet Stimpson Style # A1883 .110"OD x .190" flange
 Flange recess .203" Dia. x .090" deep.
Accessories: BI - UM - 3 - 4 Insulator.

Note: Dimensions in mm. (inches)

TOLERANCES (EXCEPT AS NOTED)	Memory Protection Devices, Inc. 200 Broad Hollow Road, Farmingdale, New York 11735		
DECIMAL + .5 (.020) - .5 (.020)	SCALE	DRAWN BY B.S.	
FRACTIONAL + .8 (.030) - .8 (.030)	TITLE	APPROVED BY	
ANGULAR + 3° - 3°	DATE	DRAWING NUMBER	
	4/17/2009	BA1/2AAPC	