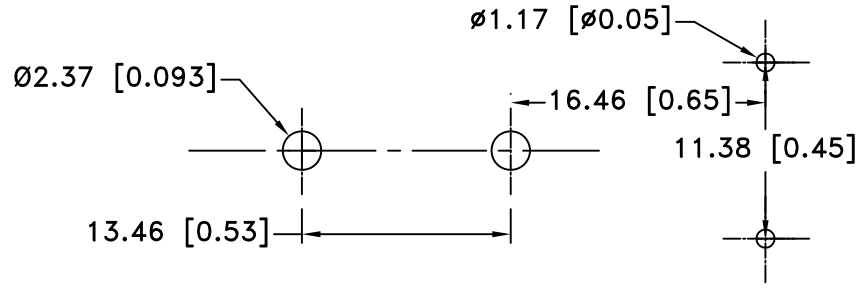
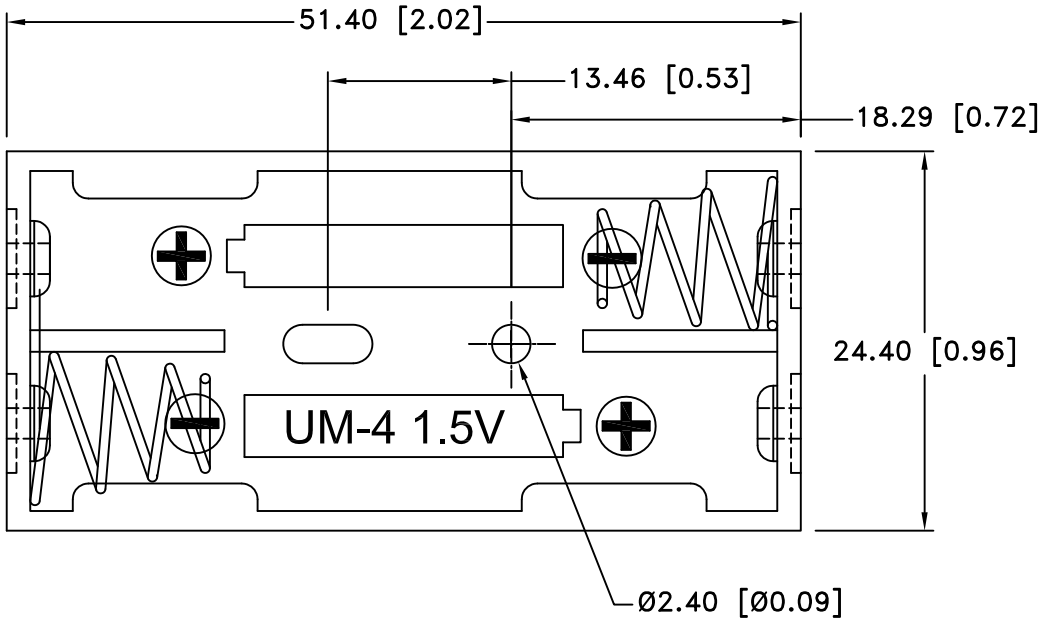
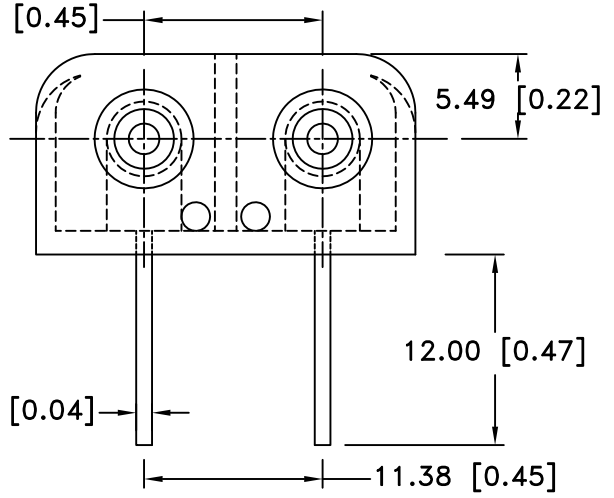
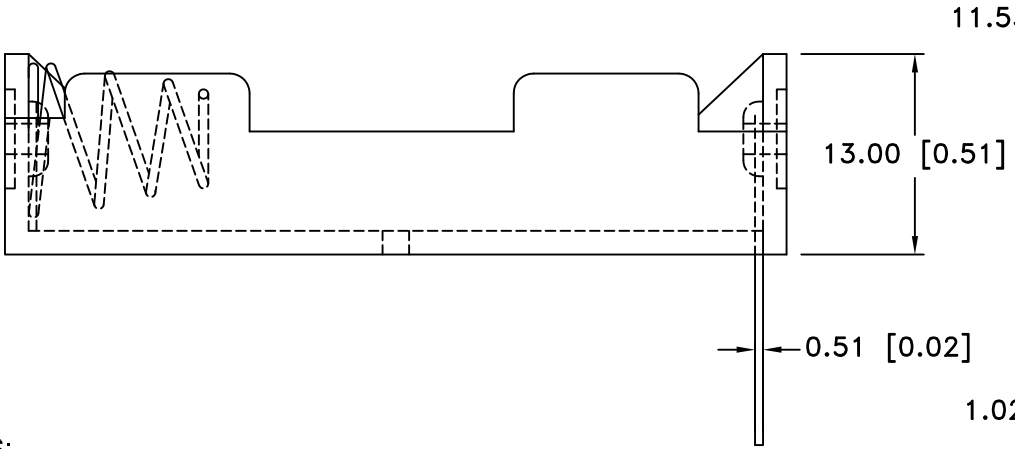


| Date | SYM | REVISION RECORD | AUTH | DR. | CK. |
|----------|-----|-----------------------------|------|------|-----|
| 07/29/11 | G | DIM. Ø2.40 WAS 2 PLACE | T.B. | B.S. | |
| 11/07/14 | H | UPDATED TO ROHS 2 COMPLIANT | T.B. | B.S. | |
| | | | | | |
| | | | | | |




PCB LAYOUT



NOTES:

1. MATERIAL:
 HOUSING : BLACK POLYPROPYLENE
 FLAMMABILITY RATING -UL94-HB, UL FILE NO. E216959
 TEMPERATURE RANGE: -10°C to +100°C
 RIVETS: BRASS, NICKEL PLATED.
 SPRING: SPRING STEEL, NICKEL PLATED.
 CONTACTS: SPRING STEEL, NICKEL PLATED.
 CONTACT RESISTANCE: UNDER 50mΩ FOR +/- CONTACTS PER EIA-540J000

ROHS 2 COMPLIANT

| | | | |
|--------------------------------|---|------------------|----------------------------|
| Tolerance (Except as noted) |  Memory Protection Devices, Inc 200 Broad Hollow Road, Farmingdale, New York 11735 | Scale | Drawn By B.S. |
| | | | Approved By T.B. |
| decimal ±.5 (.020) | Title TWO "AAA" CELL HOLDER WITH PC PINS | | |
| Fractional ± .8 (.030) | | Date 11/07/14 | Drawing Number BC2AAAPC |
| Angular ± 3° | | | |