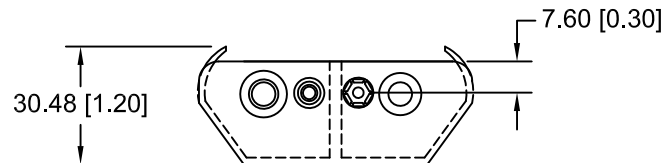
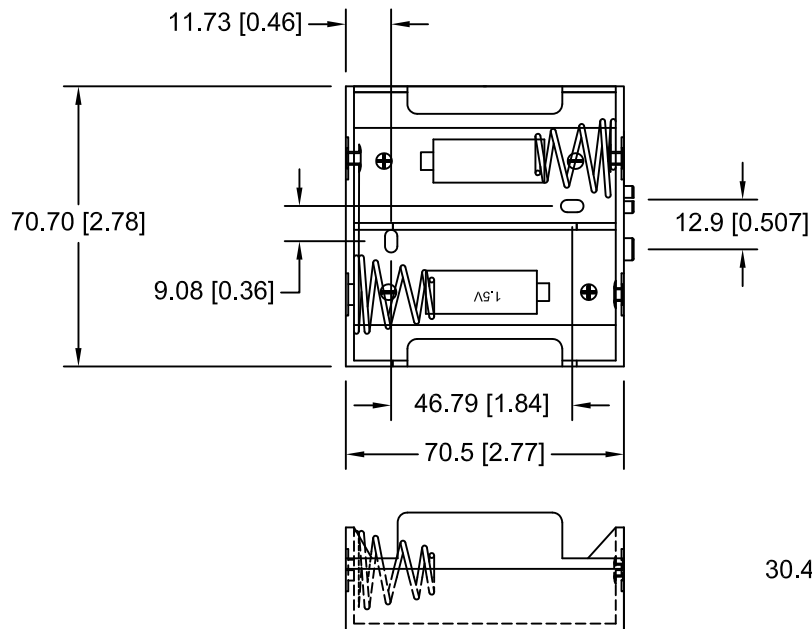



Date	SYM	REVISION RECORD	AUTH	DR.	CK.
11/15/13	A	REDRAWN IN AUTOCAD UPDATED TO ROHS 2 COMPLIANT	T.B.	B.S.	

NOTES:

1. MATERIAL:

HOUSING : BLACK POLYPROPYLENE  
 FLAMMABILITY RATING -UL94-HB, UL FILE NO. E216959  
 TEMPERATURE RANGE: -10°C to +100°C  
 RIVETS: BRASS, NICKLE PLATED.  
 SPRING: SPRING STEEL, NICKLE PLATED.  
 9 VOLTS SNAPS: BRASS, NICKLE PLATED.  
 CONTACT RESISTANCE: UNDER 50mΩ FOR +/- CONTACTS PER  
 EIA-540J000  
 ROHS 2 COMPLIANT.



Tolerance (Except as noted)	 <b>Memory Protection Devices, Inc</b> 200 Broad Hollow Road, Farmingdale, New York 11735		
decimal ±.5 (.020)		Scale	Drawn By B.S. Approved By T.B.
Fractional ± .8 (.030)	Title TWO "D" CELL HOLDER WITH 9V SNAPS		
Angular ± 3°	Date 11/15/13	Drawing Number BH2DSF	