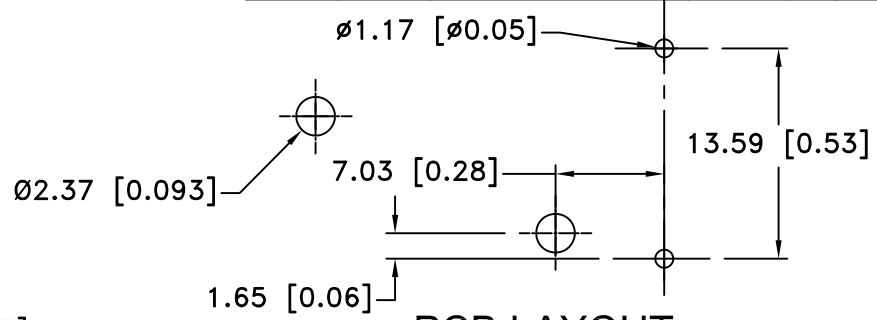
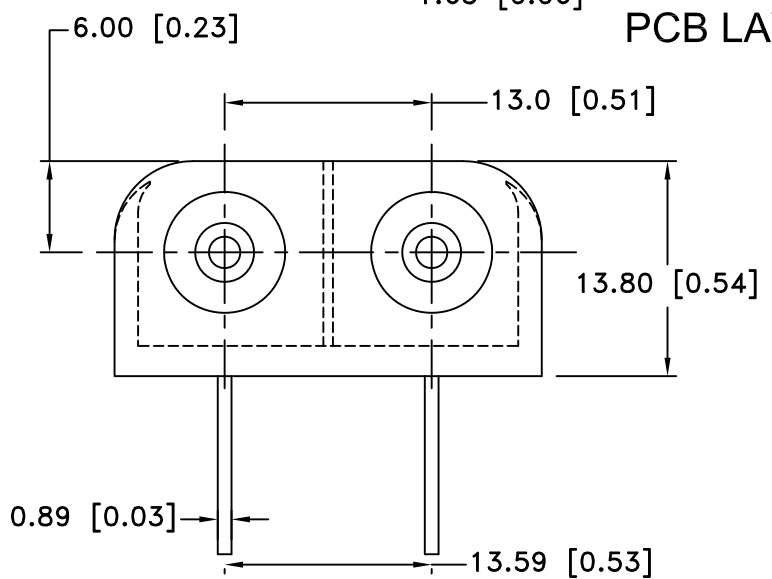
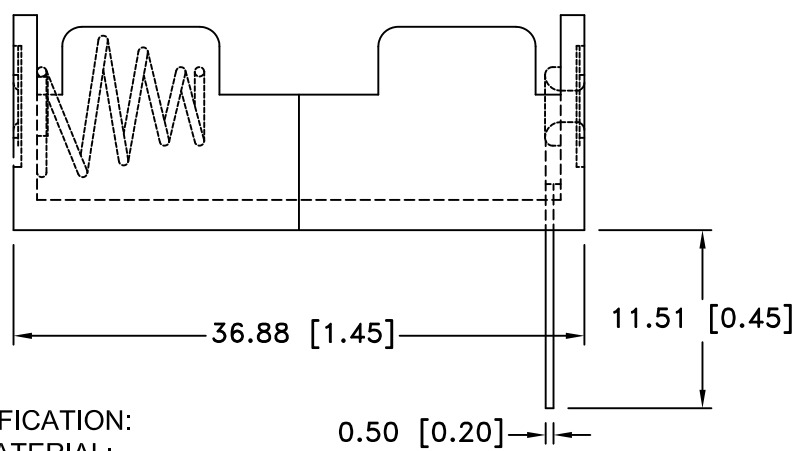


Date	SYM	REVISION RECORD	AUTH	DR.	CK.
9/10/06	A	ADDED "ROHS COMPLIANT"	T.B.	B.S.	
04/12/12	B	UPDATED SPECIFICATION	T.B.	B.S.	
12/05/14	C	UPDATED TO ROHS 2 COMPLIANT	T.B.	B.S.	




PCB LAYOUT



SPECIFICATION:

1. MATERIAL:

HOUSING : BLACK POLYPROPYLENE, PP-1040
 FLAMMABILITY RATING -UL94-HB, UL FILE NO. E216959
 TEMPERATURE RANGE: -10°C to +100°C
 RIVETS: BRASS, NICKEL PLATED.
 SPRING: SPRING STEEL, NICKEL PLATED.
 CONTACT RESISTANCE: UNDER 50mΩ FOR +/- CONTACTS PER EIA-540J000
 ROHS 2 COMPLIANT

Tolerance (Except as noted)	 Memory Protection Devices, Inc 200 Broad Hollow Road, Farmingdale, New York 11735	Scale	Drawn By B.S.
			Approved By T.B.
decimal ±.5 (.020)	Title TWO "N" CELL HOLDER	Date 12/05/14	
Fractional ± .8 (.030)		Drawing Number BH2NPC	
Angular ± 3°			