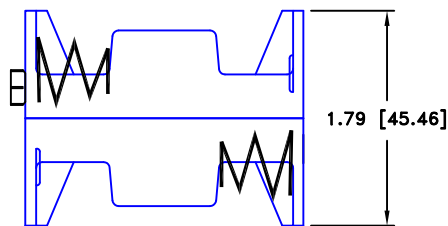
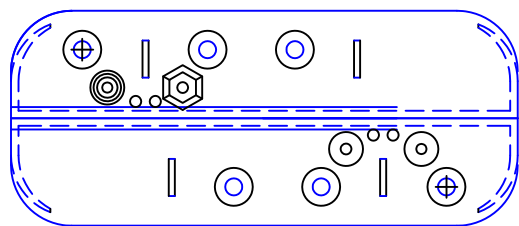
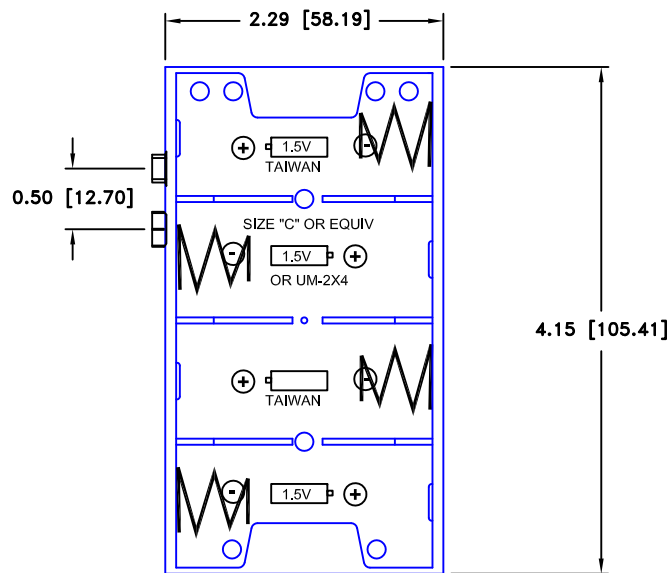



Date	SYM	REVISION RECORD	AUTH	DR.	CK.
8/28/14	A	UPDATED TO ROHS 2 COMPLIANT	T.B.	B.S.	



**NOTES:**

**1. MATERIAL:**

HOUSING : BLACK POLYPROPYLENE  
 FLAMMABILITY RATING -UL94-HB,  
 UL FILE NO. E216959  
 TEMPERATURE RANGE: -10°C to +100°C  
 RIVETS: BRASS, NICKEL PLATED.  
 SPRING: SPRING STEEL, NICKEL PLATED.  
 9 VOLT SNAPS: BRASS, NICKEL PLATED.  
 CONTACT RESISTANCE: UNDER 50mΩ FOR  
 +/- CONTACTS PER EIA-540J000  
 ROHS 2 COMPLIANT

Tolerance (Except as noted)	 <b>Memory Protection Devices, Inc</b> 200 Broad Hollow Road, Farmingdale, New York 11735		
decimal ±.020 (.5)		Scale XX	Drawn By B.S. Approved By T.B.
Fractional ± .030 (.8)	Title EIGHT "C" CELL HOLDER WITH SNAP FASTENERS		
Angular ± 3°	Date 8/28/14	Drawing Number BH48CSF	