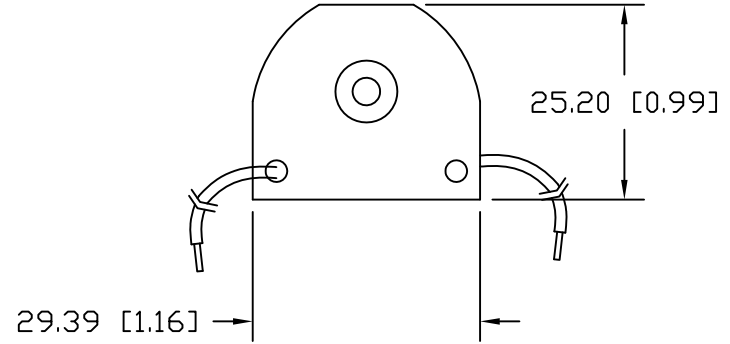
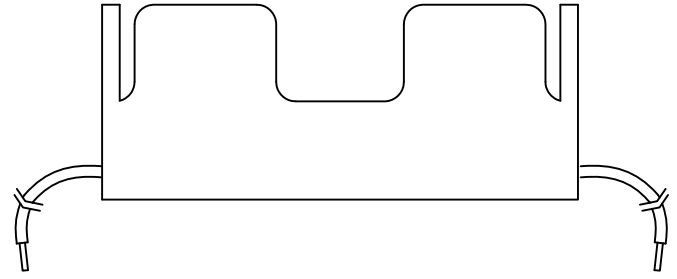
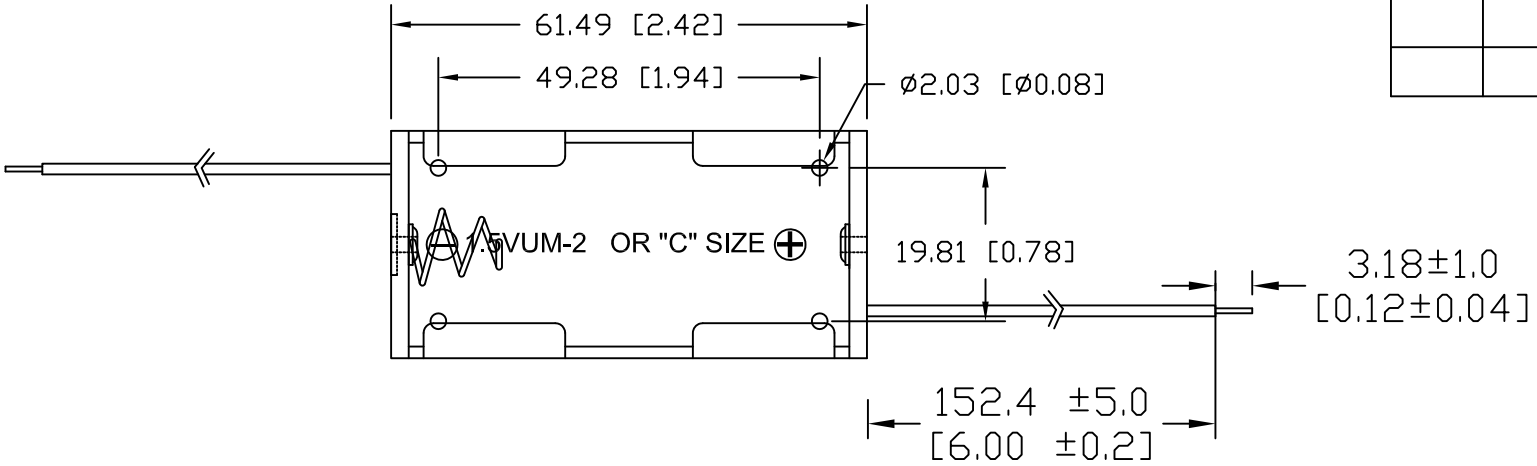



Date	SYM	REVISION RECORD	AUTH	DR.	CK.
05/31/13	B	UPDATED TO ROHS 2 COMPLIANT	T.B.	B.S.	



**SPECIFICATION:**

**1. MATERIAL:**

- HOUSING : BLACK POLYPROPYLENE
- FLAMMABILITY RATING -UL94-HB, UL FILE NO. E216959
- TEMPERATURE RANGE: -10°C to +100°C
- RIVETS: BRASS, NICKLE PLTD.
- WIRE: 26 AWG, 152.4mm LONG
- SPRING: SPRING STEEL, NICKLE PLTD.
- CONTACT RESISTANCE: UNDER 50mΩ FOR +/- CONTACTS PER EIA-540J000
- ROHS 2 COMPLIANT

Tolerance (Inches)	 <b>Memory Protection Devices, Inc</b> 200 Broad Hollow Road, Farmingdale, New York 11735		
Decimal ±.5 (.020)	Scale	Drawn By B.S. Approved By T.B.	
Fractional ± .8 (.030)	Title <b>"C" BATTERY HOLDER WITH WIRE LEADS</b>		
Angular ± 3°	Date 5/31/13	Drawing Number <b>BHCW</b>	