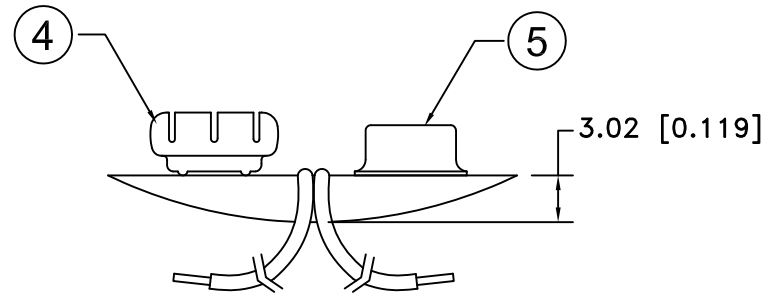
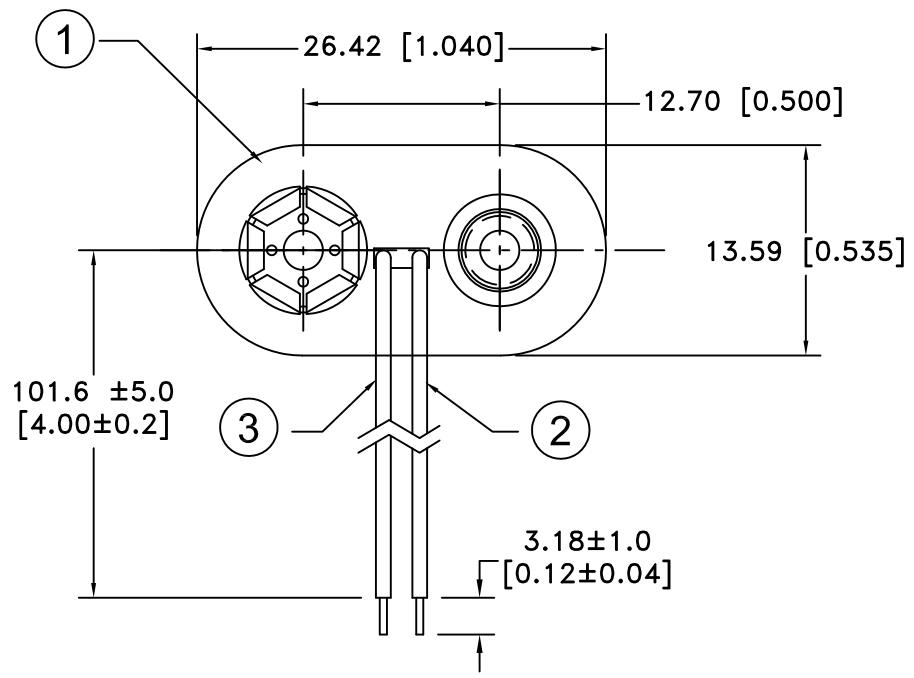



Date	SYM	REVISION RECORD	AUTH	DR.	CK.
10/03/14	A	UPDATED TO ROHS 2 COMPLIANT	T.B.	B.S.	



ROHS 2 COMPLIANT

NO.	PART NAME	MATERIAL	QTY.	Tolerance (Except as noted)		
				decimal	Fractional	
1	COVER	PVC COVER OVER FIBERBOARD	1	 <b>Memory Protection Devices, Inc</b> 200 Broad Hollow Road, Farmingdale, New York 11735	Title <b>9 VOLT BATTERY SNAP-T STYLE-4" WIRE LEADS</b>	
2	BLACK WIRE(-)	24 AWG OR 26 AWG, UL-1007, CSA TR-64, 300V, 80°C	1			
3	RED WIRE (+)	24 AWG OR 26 AWG, UL-1007, CSA TR-64, 300V, 80°C	1			
4	FEMALE SNAP	BRASS NICKLE PLATED	1			
5	MALE SNAP	BRASS NICKLE PLATED	1			
				Angular	Date	Drawing Number
				± 3°	10/03/14	BS4T

Scale  
 Drawn By B.S.  
 Approved By T.B.