

## Excellent Integrated System Limited

Stocking Distributor

Click to view price, real time Inventory, Delivery & Lifecycle Information:

[Memory Protection Devices](#)  
[EJ502B](#)

For any questions, you can email us directly:

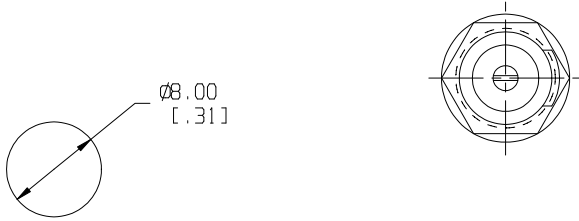
[sales@integrated-circuit.com](mailto:sales@integrated-circuit.com)



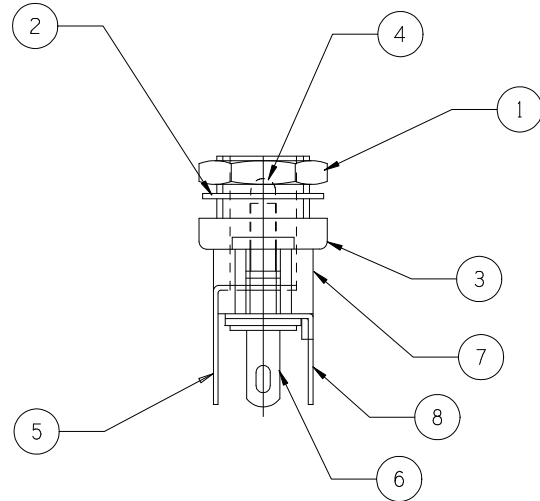
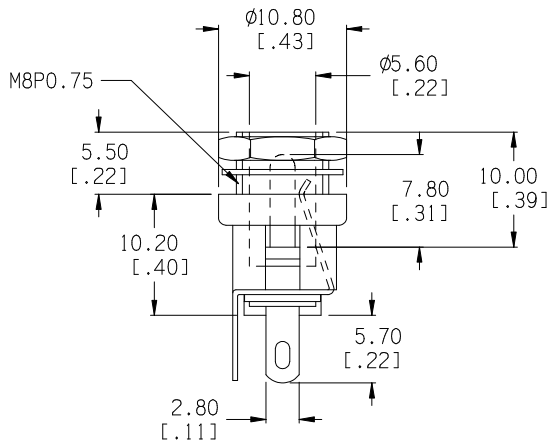
ELECTRICAL SPECS:

1. LIFE: 10,000 INSERTION/WITHDRAWAL CYCLE MINIMUM
2. CONTACT RESISTANCE: 50mU MAXIMUM
3. INSULATION RESISTANCE: 1000mU MINIMUM
4. DIELECTRIC WITHSTANDING VOLTAGE: 500AC MAXIMUM
5. MAXIMUM RATING: 5A, 12V DC

Date	SYM	REVISION RECORD	AUTH	DR.	CK.
05/08/04	A	ADDED ELECTRICAL SPECS	T.B.	B.S.	
5/26/07	B	Added "ROHS COMPLIANT"	T.B.	B.S.	



PANEL CUT-OUT



ROHS COMPLIANT

ITEM NO.	PART NAME	MATL. SPECIFICATION	Tolerance (Inches)	Memory Protection Devices, Inc. 200 Broad Hollow Road, Farmingdale, New York 11735	
1	HEX. NUT	BRASS, NICKLE PLTD.	Decimal	Scale	Drawn By B.S.
2	FLAT WASHER	IRON, NICKLE PLTD.			
3	TOP HOUSING	BRASS, NICKLE PLTD.	±.5 (.020)	Title	DC JACK - CHASSIS MOUNT, CLOSED CIRCUIT
4	PIN (Ø.5)	COPPER, NICKLE PLTD.			
5	SOLDER TERMINAL	BRASS, SILVER PLTD.	Fractional	Date	Drawing Number
6	SOLDER TERMINAL	BRASS, SILVER PLTD.			
7	BOTTOM HOUSING	NYLON, BLACK	± .8 (.030)	5/26/07	EJ502B
8	SOLDER TERMINAL	BRASS, SILVER PLTD.			
			Angular		
			± 3°		



Memory Protection Devices, Inc.

200 Broad Hollow Road, Farmingdale, New York 11735

Scale Drawn By B.S.

Approved By T.B.

Title DC JACK - CHASSIS MOUNT, CLOSED CIRCUIT

Date 5/26/07 Drawing Number EJ502B