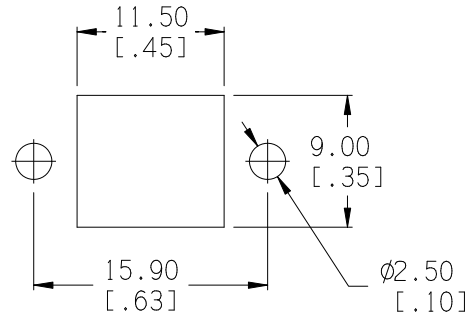
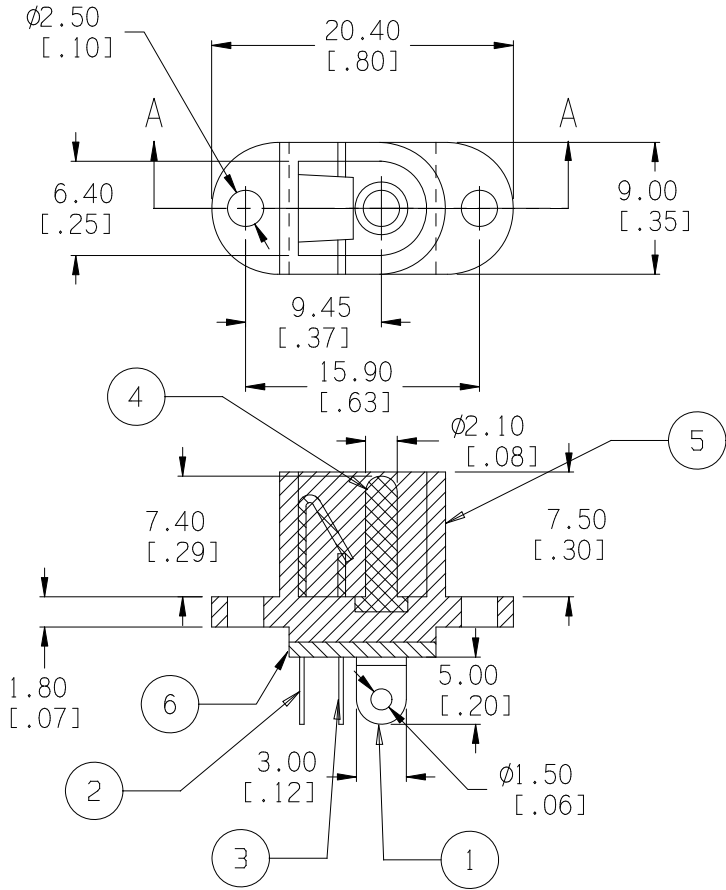
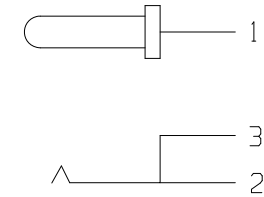


Date	SYM	REVISION RECORD	AUTH	DR.	CK.
05/08/04	A	ADDED ELECTRICAL SPECS	T.B.	B.S.	
12/05/14	B	UPDATED TO ROHS 2 COMPLIANT	T.B.	B.S.	



PANEL CUT-OUT



SCHEMATIC DIAGRAM

ELECTRICAL SPECS:

1. LIFE: 10,000 INSERTION/WITHDRAWAL CYCLE MINIMUM
2. CONTACT RESISTANCE: 50m Ω MAXIMUM
3. INSULATION RESISTANCE: 1000m Ω MINIMUM
4. DIELECTRIC WITHSTANDING VOLTAGE: 500AC MAXIMUM
5. MAXIMUM RATING: 5A, 12V DC

ROHS 2 COMPLIANT

ITEM NO.	PART NAME	MATL. SPECIFICATION	Tolerance (Inches)	MPD Memory Protection Devices, Inc. 200 Broad Hollow Road, Farmingdale, New York 11735		
1	PIN TERMINAL	0.4 THK BRASS, SILVER PLTD.	Decimal			Scale
2	SLEEVE SPRING	0.2 THK PHOSPHORSCENT BRONZE, SILVER PLTD.	$\pm .5$ (.020)			Drawn By B.S.
3	BREAK TERMINAL	0.3 THK BRASS, SILVER PLTD.	Fractional			Approved By T.B.
4	PIN ($\phi 2.1$)	COPPER, NICKLE PLTD.	$\pm .8$ (.030)	Title DC JACK - PANEL MOUNT TYPE		
5	HOUSING	BLACK, P.B.T.	Angular	Date	Drawing Number	
6	INSULATOR	BAKELITE, NATURAL	$\pm 3^\circ$	12/05/14	EJ504A	