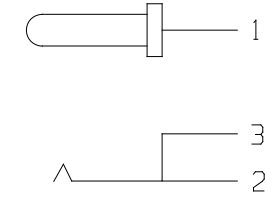
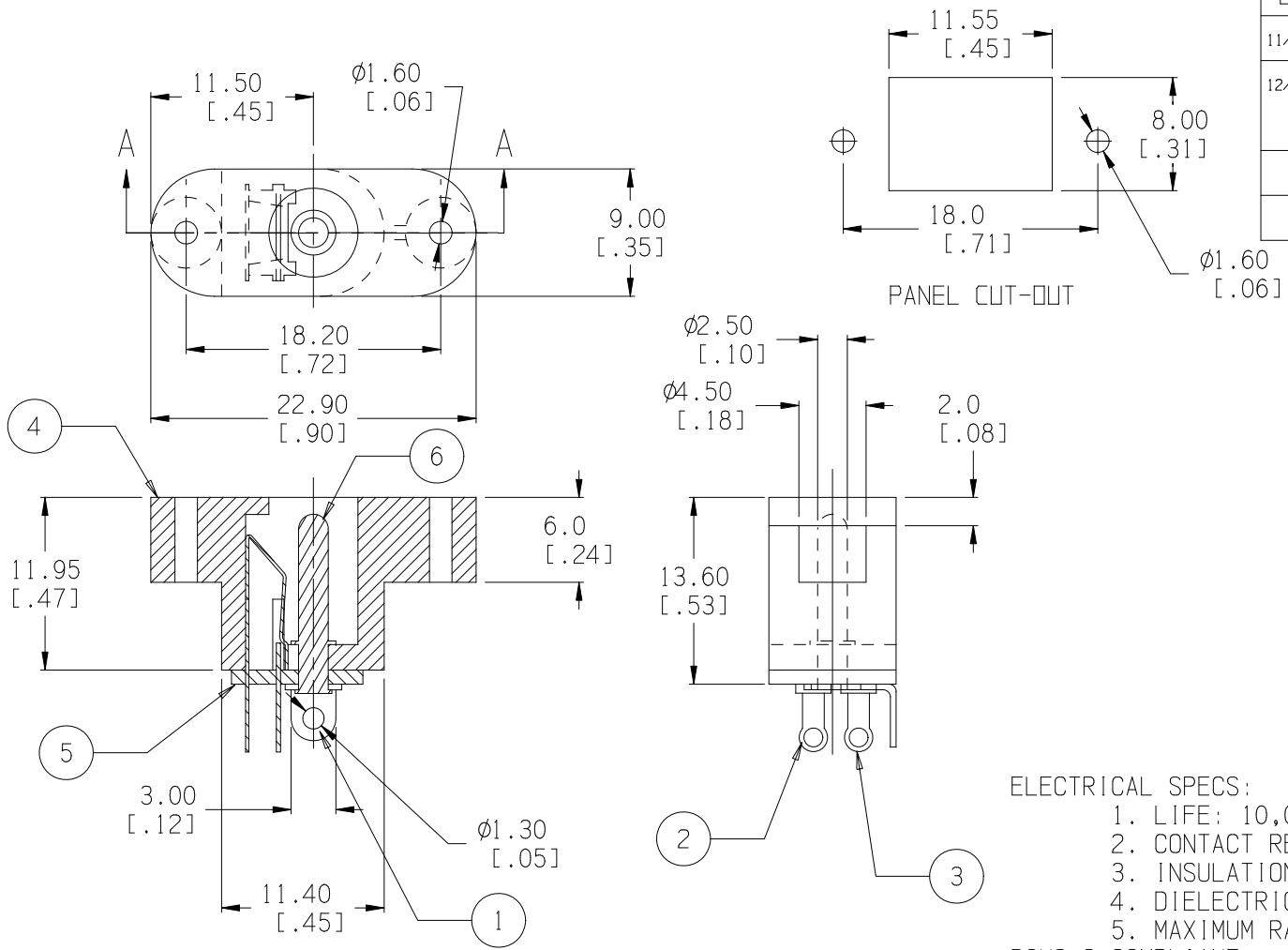


Date	SYM	REVISION RECORD	AUTH	DR.	CK.
11/14/14	C	INSULATOR MATL. WAS BAKELITE	T.B.	B.S.	
12/19/14	D	DIM. 18.20 WAS 18.00 DIM. 22.90 WAS 23.00 DIM. 11.95 WAS 12.00	T.B.	B.S.	



SCHEMATIC DIAGRAM

ELECTRICAL SPECS:
 1. LIFE: 10,000 INSERTION/WITHDRAWAL CYCLE MINIMUM
 2. CONTACT RESISTANCE: 50mΩ MAXIMUM
 3. INSULATION RESISTANCE: 1000mΩ MINIMUM
 4. DIELECTRIC WITHSTANDING VOLTAGE: 500V AC MAXIMUM
 5. MAXIMUM RATING: 5A, 12V DC
 ROHS 2 COMPLIANT

ITEM NO.	PART NAME	MATL. SPECIFICATION	Tolerance (Inches)	MPD Memory Protection Devices, Inc. 200 Broad Hollow Road, Farmingdale, New York 11735	
1	PIN TERMINAL	0.4 THK BRASS, SILVER PLTD.	Decimal	Scale	Drawn By B.S.
2	SLEEVE SPRING	0.2 THK PHOSPHORSCENT BRONZE, SILVER PLTD.			
3	BREAK TERMINAL	0.3 THK BRASS, SILVER PLTD.	±.5 (.020)	Title	Approved By T.B.
4	HOUSING	BLACK, P.B.T.			
5	INSULATOR	BLACK, P.B.T.			
6	PIN (Ø2.5)	COPPER, NICKLE PLTD.	Fractional	DC JACK - PANEL MOUNT TYPE	
			± .8 (.030)	Date	Drawing Number
			Angular	12/19/14	EJ505B
			± 3°		