

## **Excellent Integrated System Limited**

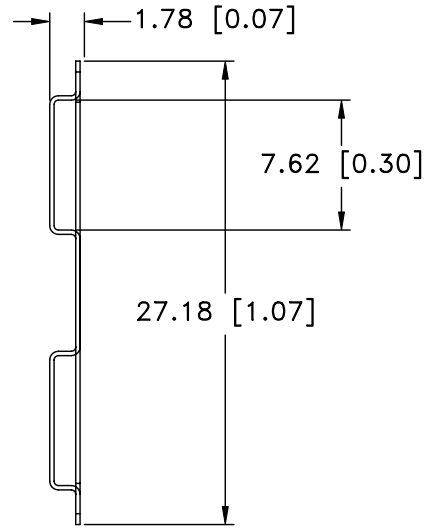
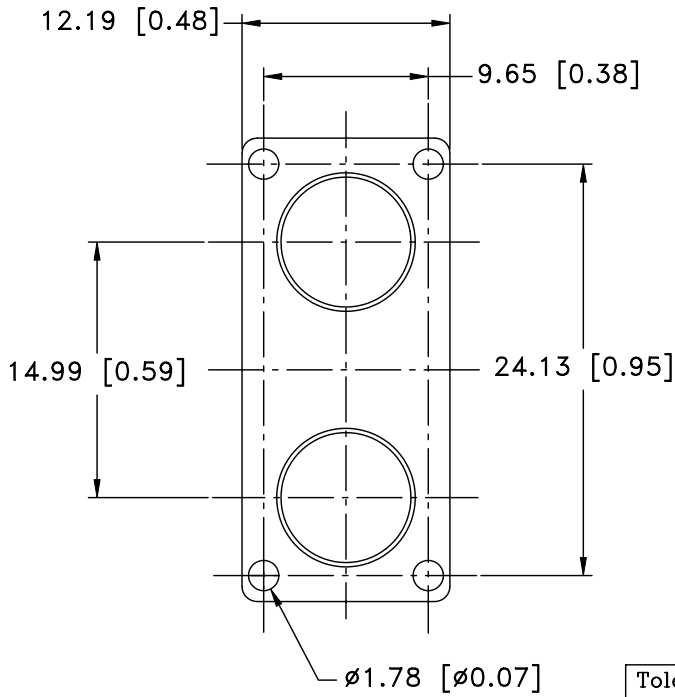
Stocking Distributor

Click to view price, real time Inventory, Delivery & Lifecycle Information:

[Memory Protection Devices](#)  
[SN-T7-06A](#)


For any questions, you can email us directly:  
[sales@integrated-circuit.com](mailto:sales@integrated-circuit.com)

Date	SYM	REVISION RECORD	AUTH	DR.	CK.
01/31/04	A	MATERIAL WAS HARD DRAWN STEEL	T.B.	B.S.	



**NOTES:**

1. MATERIAL: STEEL, 0.25mm [0.010"] THICK.
2. COATING: COPPER FLASH COATED.
3. FINISH: NICKLE PLTD.

Tolerance (Except as noted)	 <b>Memory Protection Devices, Inc</b> 200 Broad Hollow Road, Farmingdale, New York 11735		
decimal ±.5 (.020)		Scale	Drawn By B.S. Approved By T.B.
Fractional ± .8 (.030)	Title "AAA" CONTACT		
Angular ± 3°	Date 01/31/04	Drawing Number SNT7-06A	