

Excellent Integrated System Limited

Stocking Distributor

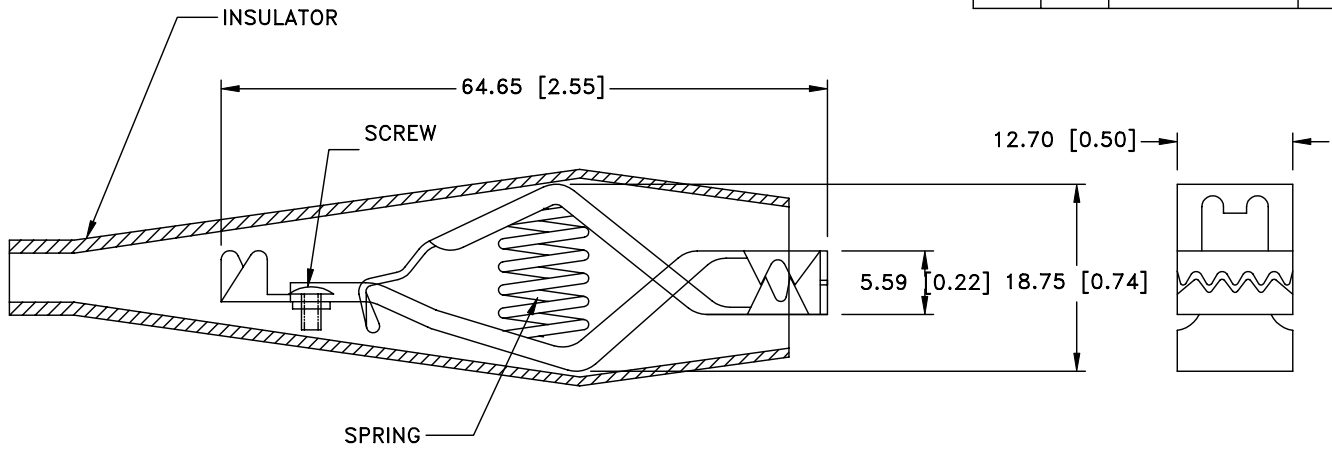
Click to view price, real time Inventory, Delivery & Lifecycle Information:

[Memory Protection Devices](#)
[ZB3021-A](#)

For any questions, you can email us directly:

sales@integrated-circuit.com


Date	SYM	REVISION RECORD	AUTH	DR.	CK.



NOTES:

MATERIAL:

INSULATOR: PVC, RED
 CLIP: 302 STN. STL., SPRING TEMPER, NICKEL
 PLTD.
 SPRING: STN. STL.
 SCREW; STN.STL.

Tolerance (Except as noted)	 Memory Protection Devices, Inc 200 Broad Hollow Road, Farmingdale, New York 11735	Scale	Drawn By B.S.
decimal ±.5 (.020)		Approved By T.B.	
Fractional ± .8 (.030)	Title INSULATED BATTERY CLIP		
Angular ± 3°	Date 04/05/03	Drawing Number ZB3021-A	