



Excellent Integrated System Limited

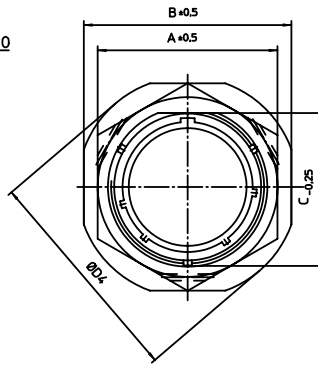
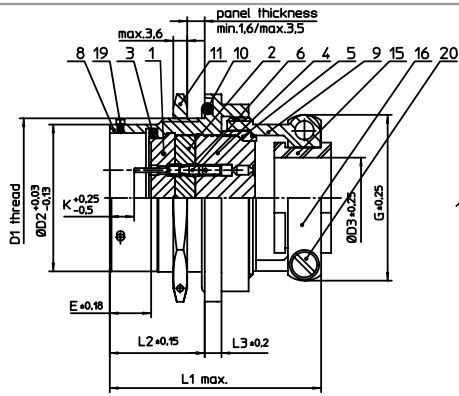
Stocking Distributor

Click to view price, real time Inventory, Delivery & Lifecycle Information:

[ITT Cannon, LLC](#)
[MS3124F18-32PZ](#)

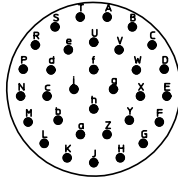
For any questions, you can email us directly:

sales@integrated-circuit.com



| NO. | MASSE / DIMENSION |
|-----|-------------------|
| A | 36.5 |
| B | 41.5 |
| C | 30.25 |
| D1 | 1 1/4-18UNEF-2A |
| D2 | 28.58 |
| D3 | 15.9 |
| D4 | 45 |
| E | 8.25 |
| K | 2.16 |
| L1 | 48.3 |
| L2 | 17.7 |
| L3 | 3.2 |

| NO. | BESCHREIBUNG / DESCRIPTION |
|-----|---|
| 1 | ISOLIERKÖRPER STIFT / INSULATOR PIN |
| 2 | ISOLIERKÖRPER MITTE / WAYER |
| 3 | DICHTRING / GASKET |
| 4 | DICHTKÖRPER / GROMMET |
| 5 | ENDRING / ENDRING |
| 6 | KONTAKT STIFT / CONTACT PIN |
| 8 | GEHÄUSE / RECEPTACLE |
| 9 | ENDGEHÄUSE / ENDBELL |
| 10 | O-RING / O-RING |
| 11 | SECHSKANTMUTTER / HEX NUT |
| 15 | KABELTÜLLE / BUSHING |
| 16 | KABELKLEMME / CABLE CLAMP |
| 19 | BAYONETTSTIFT / BAYONET PIN |
| 20 | ZYLINDER-SCHRAUBE / CYLINDER HEAD SCREW |



| | |
|-------------------------|--|
| Notes: | Due to an automatic nomenclature system, numbers generated may not be sequential. |
| | Specification and Dimensions subject to change Drawings illustrate normal insulator positioning |
| Material Specification: | |
| Shell Material: | Aluminium alloy |
| Shell Plating: | Olive drab chromate over cadmium plating |
| Insulator Material: | Polychloroprene |
| Contact Material: | Copper alloy, gold plated |
| Contact Plating: | Copper alloy, gold plated |

all dimensions are in mm
Dimensions without tolerance indications are general tolerances in acc. with DIN7168m

drawing for
CUSTOMER



description MS3124F1832PZ
Jam nut receptacle
Grommet seal with strain relief
Crimp Contacts / Pin / Layout: 18-32

© All rights reserved. Reproduction or use in third in any form
whenever is only permitted with written authorization of ITT Cannon
page 1/1
revision 1012.5. Jul 16