

Excellent Integrated System Limited

Stocking Distributor

Click to view price, real time Inventory, Delivery & Lifecycle Information:

[Würth Electronics Inc](#)
[8231706](#)

For any questions, you can email us directly:

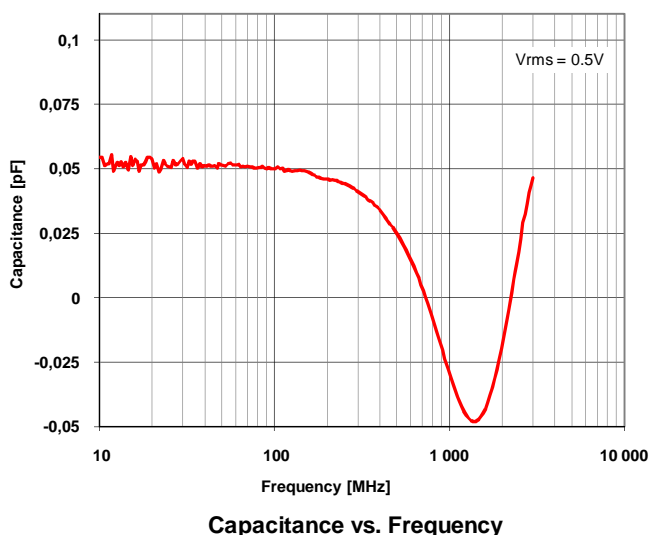
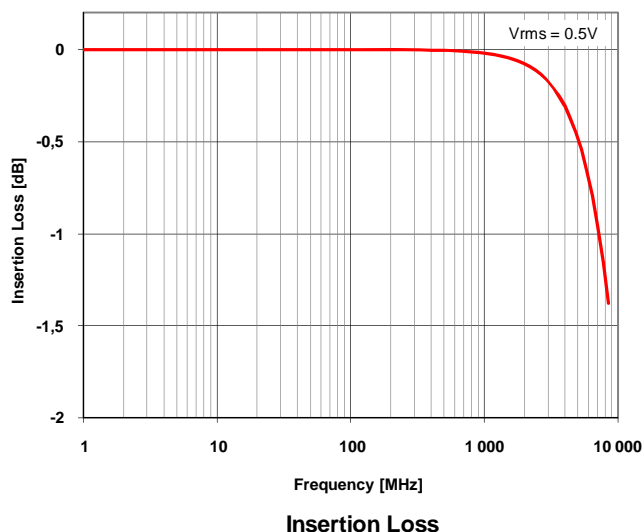
sales@integrated-circuit.com

Specification for release

Customer : _____
 Ordercode: **8231706**
 Description : **ESD Suppressor WE-VE femtoF**



H Typical Characteristics:



General Release:	Customer		
.....		
Date	Signature		
.....	Würth Elektronik		
.....	SSt	Version 2
.....	JB	Version 1
Checked	Approved	Name	Modification
			Date

This electronic component has been designed and developed for usage in general electronic equipment. Before incorporating this component into any equipment where higher safety and reliability is especially required or if there is the possibility of direct damage or injury to human body, for example in the range of aerospace, aviation, nuclear control, submarine, transportation, (automotive control, train control, ship control), transportation signal, disaster prevention, medical, public information network etc, Würth Elektronik eiSos GmbH must be informed before the design-in stage. In addition, sufficient reliability evaluation checks for safety must be performed on every electronic component which is used in electrical circuits that require high safety and reliability functions or performance.

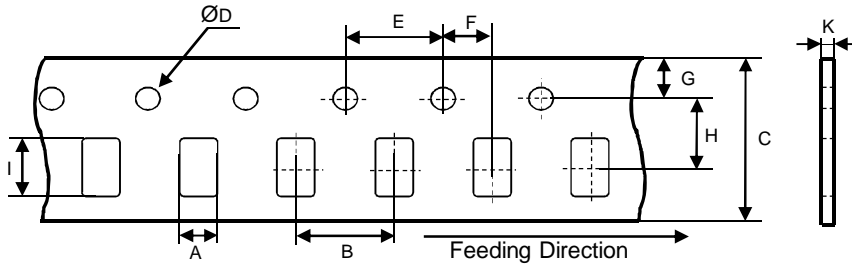
Würth Elektronik eiSos GmbH & Co. KG

Specification for release

Customer : _____
 Ordercode: **8231706**
 Description : **ESD Suppressor WE-VE femtoF**

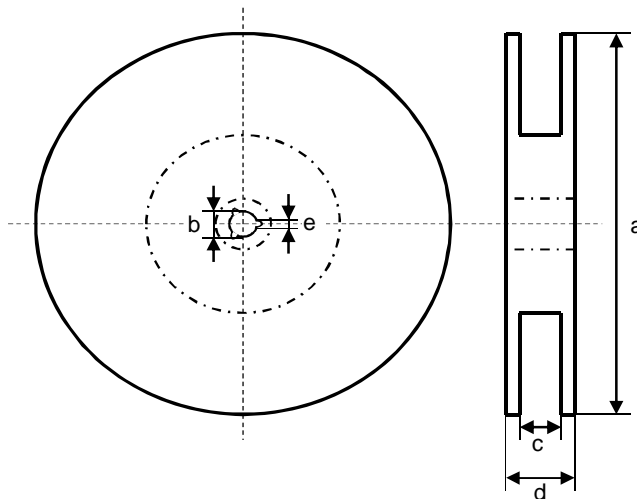


I Tape:

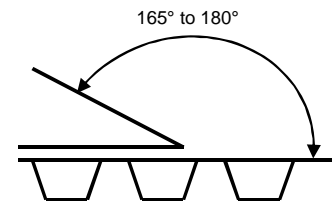


A	0.69 typ	mm
B	2.00 ± 0.10	mm
C	8.0 +0.3/-0.1	mm
D	1.50 + 0.20	mm
E	4.00 ± 0.10	mm
F	2.00 ± 0.10	mm
G	1.75 ± 0.10	mm
H	3.50 ± 0.05	mm
I	1.19 typ	mm
J	0.66 max	mm

J Reel:



a	178.0 ± 2.0	mm
b	13.0 ± 0.8	mm
c	7.9 min	mm
d	14.4 max	mm
e	1.5 min	mm



Quantity per Reel: 10000 pcs

General Release:	Customer		
Date	Signature		
	Würth Elektronik		
Checked	Approved	SSt	Version 2
		JB	Version 1
		Name	Modification
			Date

This electronic component has been designed and developed for usage in general electronic equipment. Before incorporating this component into any equipment where higher safety and reliability is especially required or if there is the possibility of direct damage or injury to human body, for example in the range of aerospace, aviation, nuclear control, submarine, transportation, (automotive control, train control, ship control), transportation signal, disaster prevention, medical, public information network etc, Würth Elektronik eiSos GmbH must be informed before the design-in stage. In addition, sufficient reliability evaluation checks for safety must be performed on every electronic component which is used in electrical circuits that require high safety and reliability functions or performance.