

Excellent Integrated System Limited

Stocking Distributor

Click to view price, real time Inventory, Delivery & Lifecycle Information:

[Comair Rotron](#)
[19031706A](#)

For any questions, you can email us directly:

sales@integrated-circuit.com

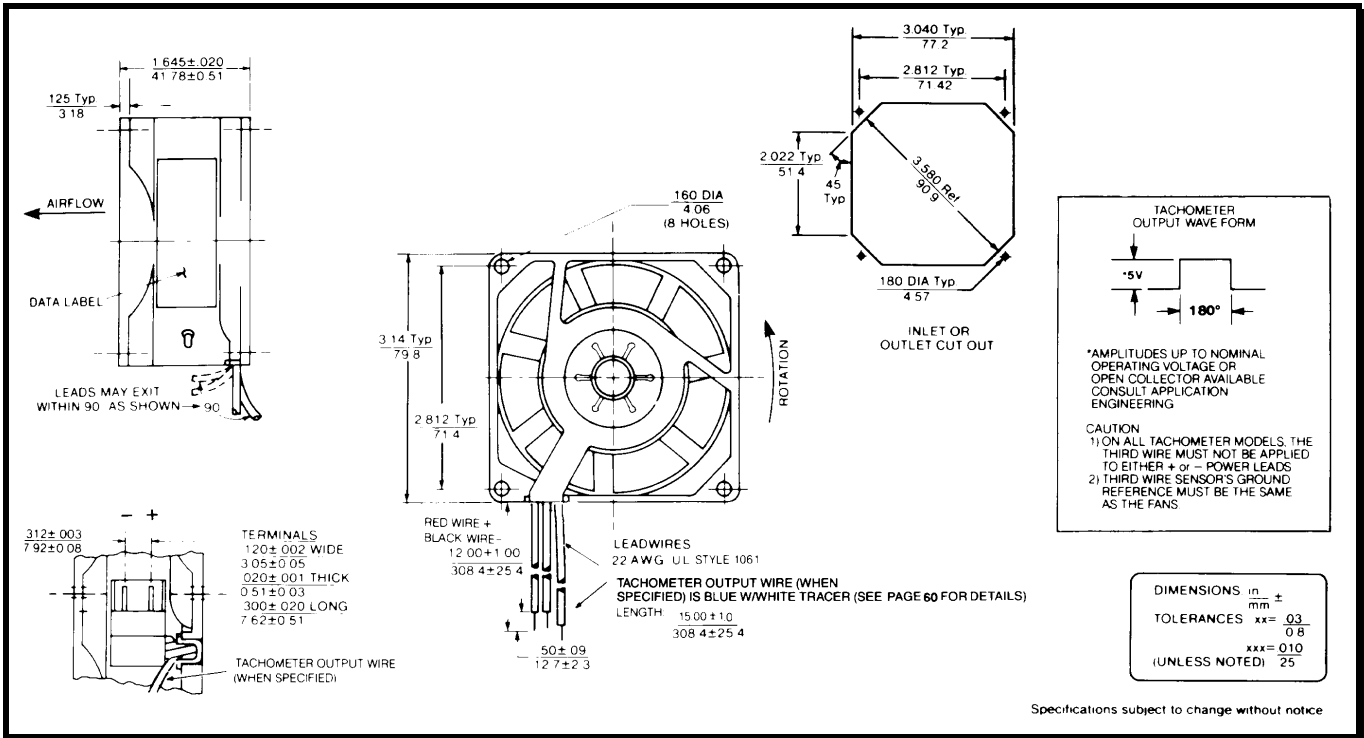
SPECIFICATIONS



Model Number: SD24K5
Part Number: 19031706A

December 16, 2003

Mechanical Drawing:



Motor:

Nominal Voltage = 24 vdc
 Operating Voltage Range = 12 – 28 vdc
 Nominal Running Current = 0.320 amps
 Locked Rotor Current = 1.60 amps
 Running Power = 7.70 watts
 Average Speed = 4900
 Bearings = Ball
 Air Flow = 50 CFM
 Acoustic = 55.4 dBA

Construction:

Venturi: Single Piece Die-Cast Zinc Alloy, Black
 Propeller: Plastic, Black, UL 94V-0

Agency Approvals:

UL, CE

Life Expectancy:

This fan is designed for continuous duty life of 83,000 hours at 40°C.

Additional Features:

Brushless DC Motor
 Locked Rotor Protection
 Polarity protected
 Automatic Restart Capability
 Operating Temperature: -10°C to 70°C
 Storage Temperature: -40°C to 85°C

Tachometer:

Isolated: No
 Output: 5 Vdc TTL Compatible
 I_c: 10 mA Typical
 Pulses per Revolution: 1

Termination:

12" Lead wires, AWG 22, UL 1061
 Red = Power (+)
 Black = Return (-)
 Blue/White = Tachometer Output