

Excellent Integrated System Limited

Stocking Distributor

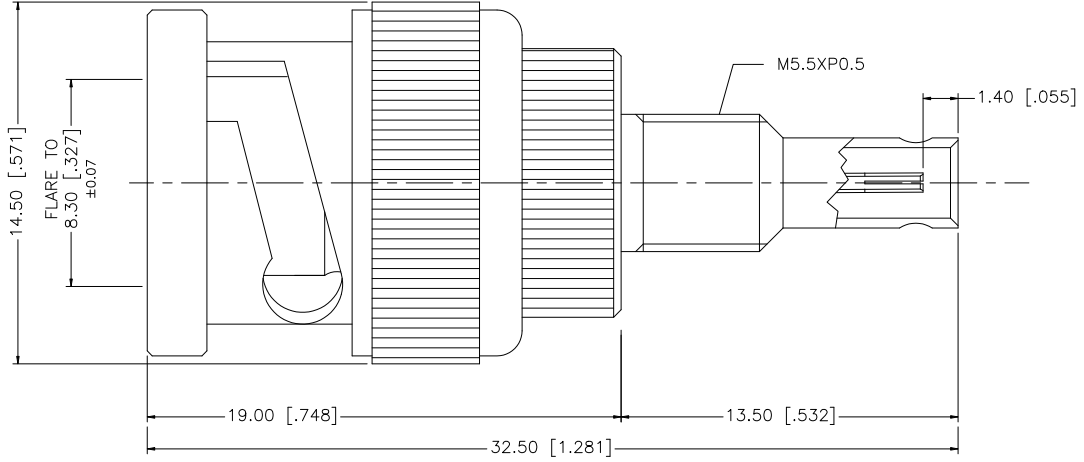
Click to view price, real time Inventory, Delivery & Lifecycle Information:

[Amphenol RF](#)
[242231-75](#)

For any questions, you can email us directly:

sales@integrated-circuit.com

REV.	DATE	DESCRIPTION
NC	07/24/07	INITIAL RELEASE



				UNLESS OTHERWISE SPECIFIED DIMENSIONS ARE IN MILLIMETERS. DIMENSIONS IN [] ARE IN INCHES AND FOR CUSTOMER REFERENCE ONLY.	APPROVALS	DATE	Amphenol Connex					
8				UNLESS OTHERWISE SPECIFIED TOLERANCES FOR MILLIMETERS ARE: 0.5 - 8mm ± 0.20mm 8 - 30mm ± 0.40mm 30 - 120mm ± 0.50mm UNLESS OTHERWISE SPECIFIED TOLERANCES FOR INCHES ARE: .020 - .315 = ± 0.007" .315 - 1.180 = ± 0.015" 1.180 - 4.724 = ± 0.020" DO NOT SCALE DRAWING	DRAWN	G.R.S.	07/24/07	PART DESCRIPTION BNC PLUG TO 1.0/2.3 FEMALE ADAPTER				
7			CHECKED									
6			ISSUED									
5			SHEET		1 OF 1							
4			CAD FILE		C:/242/242231-75.DWG							
3	CONTACT PIN	BER. COPPER	GOLD	1	PART NO.		242231-75					
2	INSULATOR	TEFLON	NATURAL	1	DWG. NO.	242231-75.DWG	REV.	NC	SIZE	A	SCALE	NA
1	BODY	BRASS	GOLD	1								
	DESCRIPTION	MATERIAL	FINISH	QTY								