



Distributor of ITT Cannon, LLC: Excellent Integrated System Limited
Datasheet of MS3102E10SL-4S - CONN RCPT 2 POS BOX MNT W/SCKT
Contact us: sales@integrated-circuit.com Website: www.integrated-circuit.com

Excellent Integrated System Limited

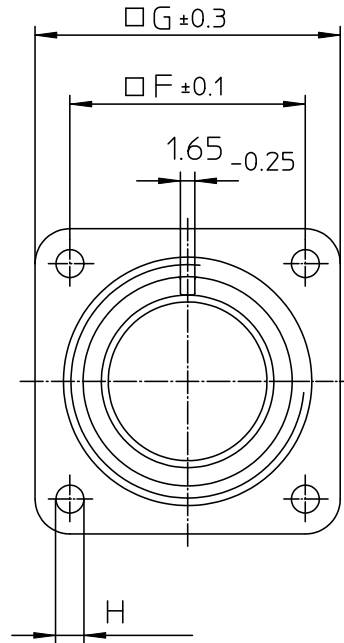
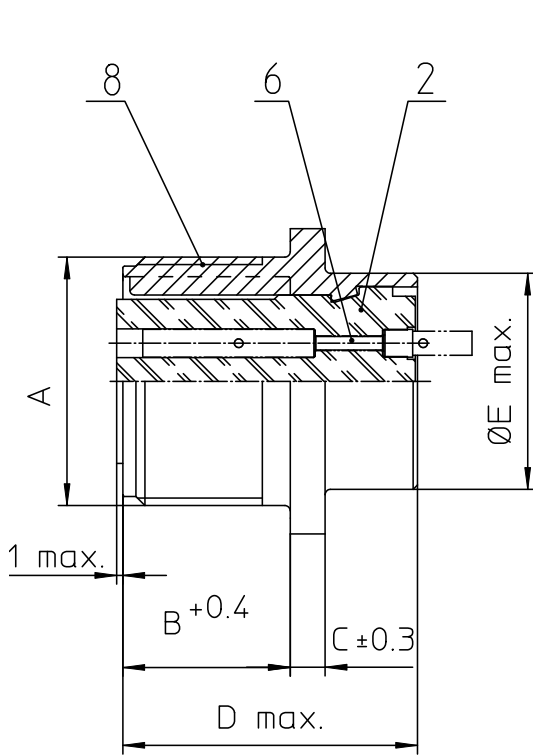
Stocking Distributor

Click to view price, real time Inventory, Delivery & Lifecycle Information:

[ITT Cannon, LLC](#)
[MS3102E10SL-4S](#)

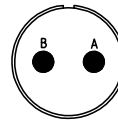
For any questions, you can email us directly:

sales@integrated-circuit.com



NO.	MASSE / DIMENSION
A	5/8-24NEF-2A
B	14.2
C	2.8
D	25.1
E	15.9
F	18.2
G	25.4
H	3.1

NO.	BESCHREIBUNG / DESCRIPTION
2	ISOLIERKÖRPER BÜCHSE / INSULATOR SOCKET
6	KONTAKTBÜCHSE / CONTACT SOCKET
8	DOSENGEHÄUSE / SHELL



Note: Due to an automatic nomenclature system, numbers generated may not be sequential.
Specification and Dimensions subject to change
Drawings illustrate normal insulator positioning

Material Specification:
Shell Material: Aluminium alloy
Shell Plating: Olive drab chromate coating over cadmium plating
Insulator Material: Neoprene
Contact Material: Copper alloy
Contact Plating: Hard silver

all dimensions are in mm
Dimensions without tolerance indications are general tolerances in acc. with DIN7168m

ITC
Engineered for life
ITT CANNON GMBH
D-71334 Wernau/Germany

description: MS3102E10SL-4S
Box mounting receptacle

Solder Cup / Socket / Layout: 10SL-4

© All rights reserved. Reproduction or issue in any form without written authorization of ITT Cannon

drawing for: CUSTOMER

page 1/1 | revision 377.3, Jul 16