



## **Excellent Integrated System Limited**

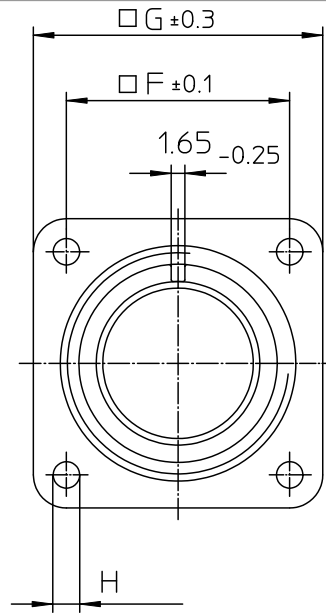
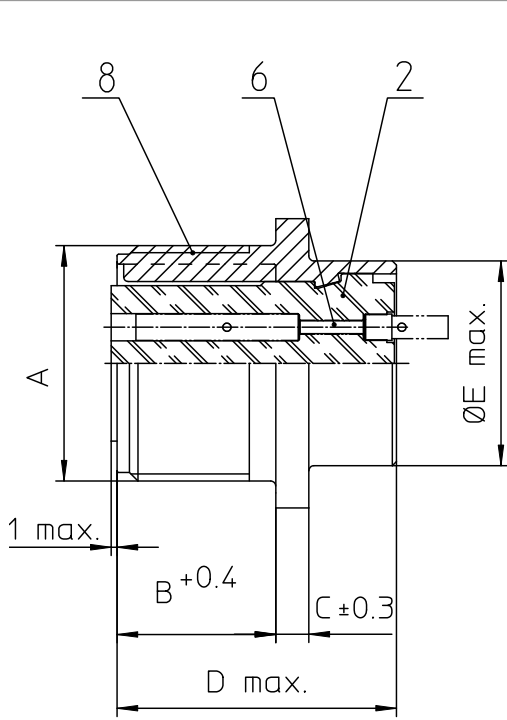
Stocking Distributor

Click to view price, real time Inventory, Delivery & Lifecycle Information:

[ITT Cannon, LLC](#)  
[MS3102R16S-4SW](#)

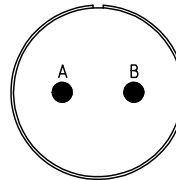
For any questions, you can email us directly:

[sales@integrated-circuit.com](mailto:sales@integrated-circuit.com)





NO.	MASSE / DIMENSION
A	1-20UNEF-2A
B	14.2
C	3.2
D	25.1
E	22.2
F	24.6
G	32.5
H	3.1

NO.	BESCHREIBUNG / DESCRIPTION
2	ISOLIERKÖRPER BUCHSE / INSULATOR SOCKET
6	KONTAKTBUCHSE / CONTACT SOCKET
8	DOSENGEHÄUSE / SHELL



Note: Due to an automatic nomenclature system, numbers generated may not be sequential.
Specification and Dimensions subject to change Drawings illustrate normal insulator positioning
<b>Material Specification:</b>
Shell Material: Aluminium alloy
Shell Plating: Olive drab chromate coating over cadmium plating
Insulator Material: Neoprene
Contact Material: Copper alloy
Contact Plating: Hard silver

<b>all dimensions are in mm</b> Dimensions without tolerance indications are general tolerances in acc. with DIN7168m	drawing for <b>CUSTOMER</b>
 Engineered for life ITT Cannon GmbH D-71334 Weinstadt-Gammery	description MS3102R16S-4SW Box mounting receptacle
 Solder Cup / Socket / Layout: 16S-4	revision 377.3, Jul 16

© All rights reserved. Reproduction or use in any form without prior written permission of ITT Cannon.



page 1/1