



Excellent Integrated System Limited

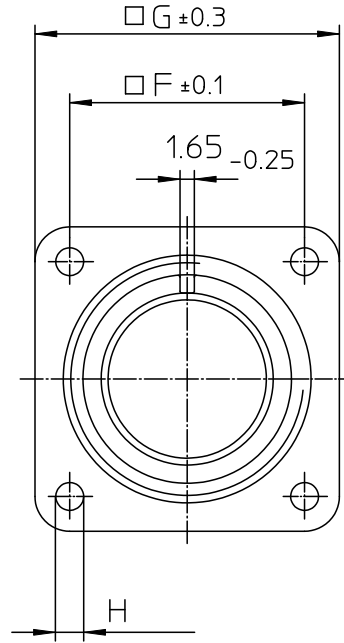
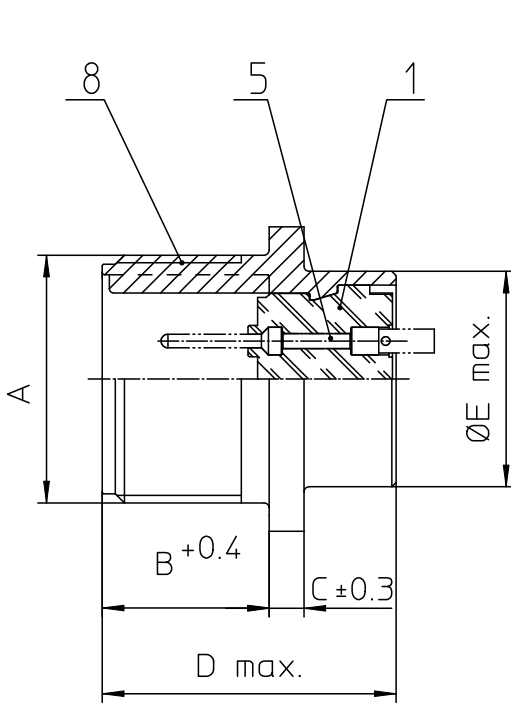
Stocking Distributor

Click to view price, real time Inventory, Delivery & Lifecycle Information:

[ITT Cannon, LLC](#)
[MS3102R16S-1PW](#)

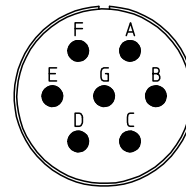
For any questions, you can email us directly:

sales@integrated-circuit.com




| NO. | MASSE / DIMENSION |
|-----|-------------------|
| A | 1-20UNEF-2A |
| B | 14.2 |
| C | 3.2 |
| D | 25.1 |
| E | 22.2 |
| F | 24.6 |
| G | 32.5 |
| H | 3.1 |

| NO. | BESCHREIBUNG / DESCRIPTION |
|-----|-------------------------------------|
| 1 | ISOLIERKÖRPER STIFT / INSULATOR PIN |
| 5 | KONTAKTSTIFT / CONTACT PIN |
| 8 | DOSENGEHÄUSE / SHELL |



| |
|---|
| Note: Due to an automatic nomenclature system, numbers generated may not be sequential. |
| Specification and Dimensions subject to change Drawings illustrate normal insulator positioning |
| Material Specification: |
| Shell Material: Aluminum alloy |
| Shell Plating: Olive drab chromate coating over cadmium plating |
| Insulator Material: Neoprene |
| Contact Material: Copper alloy |
| Contact Plating: Hard silver |

| | |
|---|---|
| all dimensions are in mm Dimensions without tolerance indications are general tolerances in acc. with DIN7168m | drawing for CUSTOMER |
|  ITT <i>Engineered for life</i> ITT CANNON GROUP D-71504 Wernau/Germany | description MS3102R16S-1PW Box mounting receptacle |
| © All rights reserved. Reproduction or use in any form without the written authorization of ITT Cannon | Solder Cup / Pin / Layout: 16S-1 page 1/1 revision 377.3, Jul 16 |