



## **Excellent Integrated System Limited**

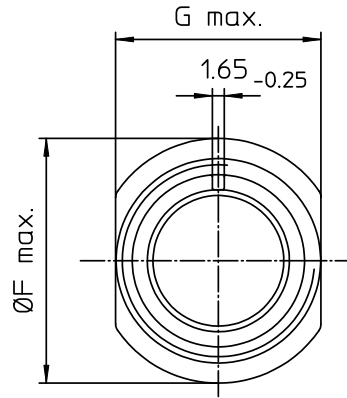
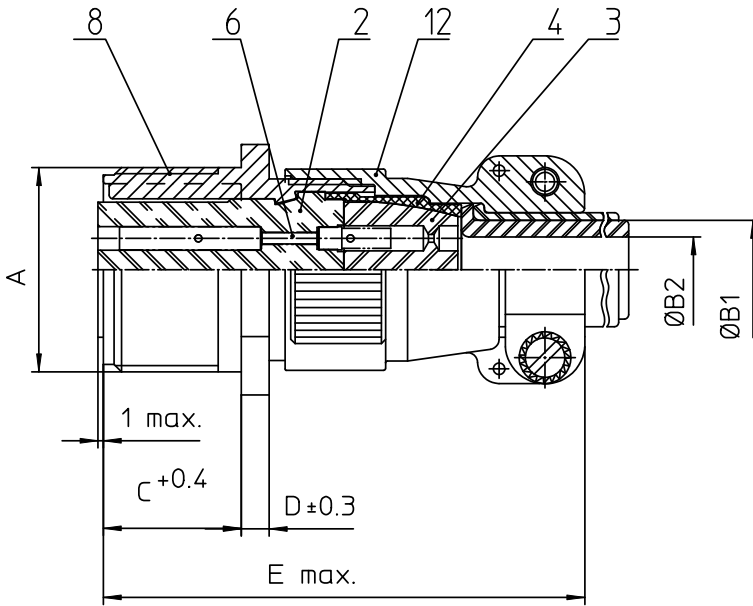
Stocking Distributor

Click to view price, real time Inventory, Delivery & Lifecycle Information:

[ITT Cannon, LLC](#)  
[MS3101E14S-7SW](#)

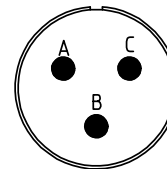
For any questions, you can email us directly:

[sales@integrated-circuit.com](mailto:sales@integrated-circuit.com)




NO.	MASSE / DIMENSION
A	7/8-20UNEF-2A
B1	9.1
B2	-
C	14.2
D	3.2
E	55
F	28.2
G	22.5

NO.	BESCHREIBUNG / DESCRIPTION
2	ISOLIERKÖRPER BUCHSE / INSULATOR SOCKET
3	DICHTKÖRPER / GROMMET
4	ENDRING / ENDRING
6	KONTAKTBUCHSE / CONTACT SOCKET
8	DOSENGEHÄUSE / SHELL
12	ENDGEHÄUSE / ENDBELL



Note: Due to an automatic nomenclature system, numbers generated may not be sequential.
Specification and Dimensions subject to change Drawings illustrate normal insulator positioning
<b>Material Specification:</b>
Shell Material: Aluminium alloy
Shell Plating: Olive drab chromate coating over cadmium plating
Insulator Material: Neoprene
Contact Material: Copper alloy
Contact Plating: Hard silver

all dimensions are in mm Dimensions without tolerance indications are general tolerances in acc. with DIN7168m	drawing for CUSTOMER
 <b>ITT</b> Engineered for life <small>ITT CANNON GROUP D-73061 Heilbronn, Germany</small>	description MS3101E14S-7SW Cable connecting plug Endbell with clamp and bushing Solder Cup / Socket / Layout: 14S-7
<small>© All rights reserved. Reproduction or use in third in any form whichever is only permitted with written authorization of ITT Cannon</small>	page 1/1 revision 377.3, Jul 16