



**Distributor of ITT Cannon, LLC: Excellent Integrated System Limited**

Datasheet of MS3108R18-22P - CONN PLUG 3 POS RT ANG W/PINS

Contact us: [sales@integrated-circuit.com](mailto:sales@integrated-circuit.com) Website: [www.integrated-circuit.com](http://www.integrated-circuit.com)

---

## **Excellent Integrated System Limited**

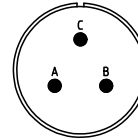
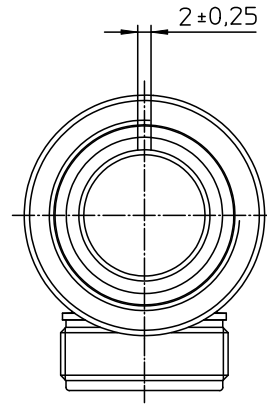
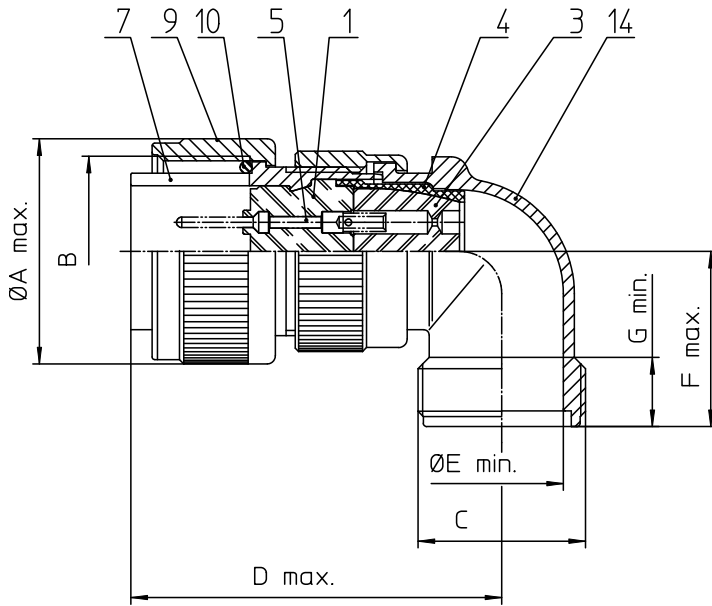
Stocking Distributor

Click to view price, real time Inventory, Delivery & Lifecycle Information:

[ITT Cannon, LLC](#)  
[MS3108R18-22P](#)

For any questions, you can email us directly:

[sales@integrated-circuit.com](mailto:sales@integrated-circuit.com)




| NO. | MASSE / DIMENSION |
|-----|-------------------|
| A   | 34.1              |
| B   | 1 1/8-18NEF-2B    |
| C   | 1-20UNEF-2A       |
| D   | 32.2              |
| E   | 18.4              |
| F   | 27.5              |

| NO. | BESCHREIBUNG / DESCRIPTION           |
|-----|--------------------------------------|
| 1   | ISOLIERKÖRPER STIFT / INSULATOR PIN  |
| 3   | DICHTKÖRPER / GROMMET                |
| 4   | ENDRING / ENDRING                    |
| 5   | KONTAKTSTIFT/ CONTACT PIN            |
| 7   | ZYLINDERGHÄUSE / BARREL              |
| 9   | ÜBERWURFMUTTER / COUPLING NUT        |
| 10  | DICHTRING FRONT / FRONT SEALING RING |
| 12  | ENDGEHÄUSE / ENDBELL                 |

Note: Due to an automatic nomenclature system, numbers generated may not be sequential.  
Specification and Dimensions subject to change  
Drawings illustrate normal insulator positioning

Material Specification:  
Shell Material: Aluminium alloy  
Shell Plating: Olive drab chromate coating over cadmium plating  
Insulator Material: Neoprene  
Contact Material: Copper alloy  
Contact Plating: Hard silver

all dimensions are in mm  
Dimensions without tolerance indications are general tolerances in acc. with DIN 7168m  
drawing for CUSTOMER

|   |   |
|---|---|
| <br><b>ITT</b><br><i>Engineered for life</i><br><small>ITT CANON GERMANY</small><br><small>5-71384 Weinstadt-Germersheim</small> | description MS3108R18-22P<br>Plug 90°<br>Shortened light-weight endbell without cable clamp<br>Solder Cup / Pin / Layout: 18-22 |
|   | © All rights reserved. Reproduction or issue in any form without the prior written authorization of ITT Cannon.                 |

page 1/1 revision 377.3, Jul 16