



Excellent Integrated System Limited

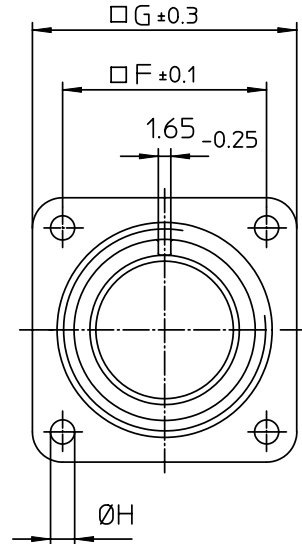
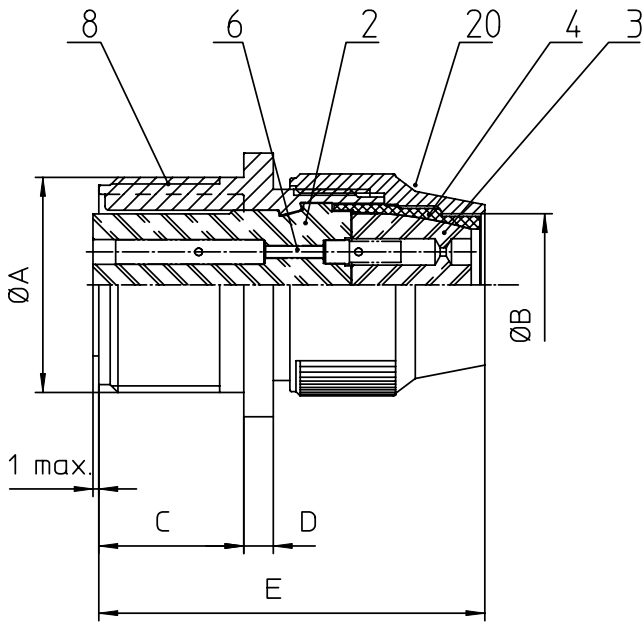
Stocking Distributor

Click to view price, real time Inventory, Delivery & Lifecycle Information:

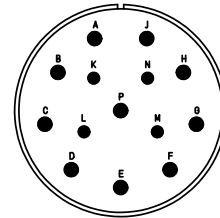
[ITT Cannon, LLC](#)
[MS3100R28-20S](#)

For any questions, you can email us directly:

sales@integrated-circuit.com




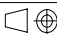
NO.	MASSE / DIMENSION
A	1 3/4-18NS-2A
B	31.6
C	20.6
D	2.4
E	53
F	39.7
G	50.8
H	3.7



NO.	BESCHREIBUNG / DESCRIPTION
2	ISOLIERKÖRPER BUCHSE / INSULATOR SOCKET
3	DICHTKÖRPER / GROMMET
4	ENDRING / ENDRING
6	KONTAKTBUCHSE / CONTACT SOCKET
8	DOSENGEHÄUSE / SHELL
20	KURZES ENDGEHÄUSE/SHORT ENDBELL

Note: Due to an automatic nomenclature system, numbers generated may not be sequential.
 Specification and Dimensions subject to change
 Drawings illustrate normal insulator positioning

Material Specification:	
Shell Material:	Aluminium alloy
Shell Plating:	Olive drab chromate coating over cadmium plating
Insulator Material:	Neoprene
Contact Material:	Copper alloy
Contact Plating:	Hard silver

all dimensions are in mm		drawing for	
Dimensions without tolerance indications are general tolerances in acc. with DIN7168m		CUSTOMER	
 ITT Engineered for life ITT CANNON GROUP 91-77588-0000-00 Summary	description	MS3100R28-20S	
		Wall mounting receptacle	
		Shortened light-weight endbell without cable clamp	
	Solder Cup / Socket / Layout: 28-20		
© All rights reserved. Reproduction or issue to third in any form whatever is only permitted with written authorization of ITT Cannon	 page 1/1	revision 377 3. Jul 16	