



## **Excellent Integrated System Limited**

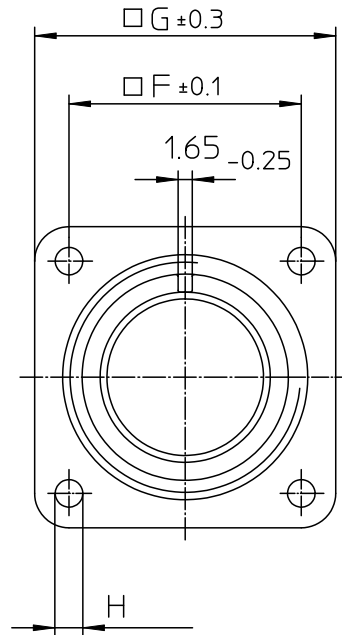
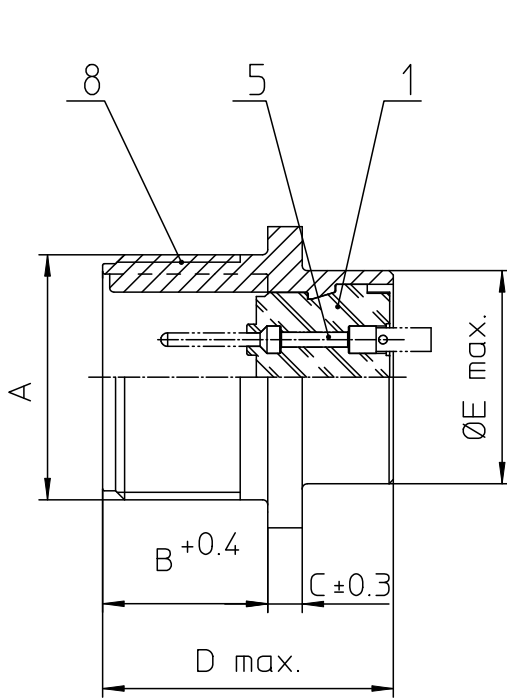
Stocking Distributor

Click to view price, real time Inventory, Delivery & Lifecycle Information:

[ITT Cannon, LLC](#)  
[MS3102R24-12PZ](#)

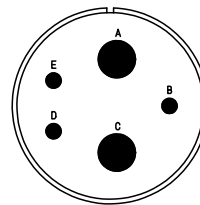
For any questions, you can email us directly:

[sales@integrated-circuit.com](mailto:sales@integrated-circuit.com)



| NO. | MASSE / DIMENSION |
|-----|-------------------|
| A   | 1 1/2-18NEF-2A    |
| B   | 20.6              |
| C   | 4                 |
| D   | 34.2              |
| E   | 35.3              |
| F   | 34.9              |
| G   | 44.5              |
| H   | 3.7               |

| NO. | BESCHREIBUNG / DESCRIPTION          |
|-----|-------------------------------------|
| 1   | ISOLIERKÖRPER STIFT / INSULATOR PIN |
| 5   | KONTAKTSTIFT / CONTACT PIN          |
| 8   | DOSENGEHÄUSE / SHELL                |



Note: Due to an automatic nomenclature system, numbers generated may not be sequential.

Specification and Dimensions subject to change  
Drawings illustrate normal insulator positioning

**Material Specification:**

|                     |  |
|---------------------|--|
| Shell Material:     | Aluminum alloy                                   |
| Shell Plating:      | Olive drab chromate coating over cadmium plating |
| Insulator Material: | Neoprene   |
| Contact Material:   | Copper alloy                                     |
| Contact Plating:    | Hard silver                                      |

|   |   |                                    |
|---|---|------------------------------------|
| all dimensions are in mm<br>Dimensions without tolerance indications are general tolerances in acc. with DIN7168m       |   | drawing for<br>CUSTOMER            |
| <p>ITT<br/>Engineered for life<br/>177 02000000000<br/>57 7134 WuerzburgGermany</p>                                     | description MS3102R24-12PZ<br>Box mounting receptacle |                                    |
|   | Solder Cup / Pin / Layout: 24-12                      |                                    |
| © All rights reserved. Reproduction or reuse is not allowed in any form without the written authorization of ITT Cannon |   | page 1/1<br>revision 377.3, Jul 16 |