



Excellent Integrated System Limited

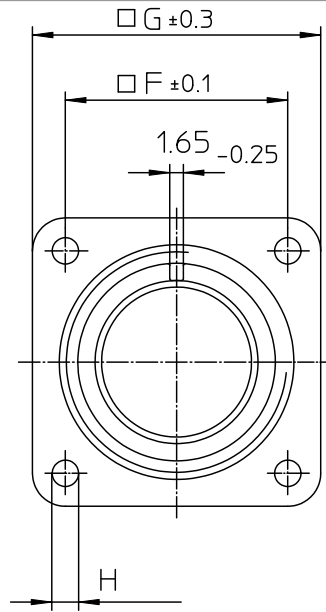
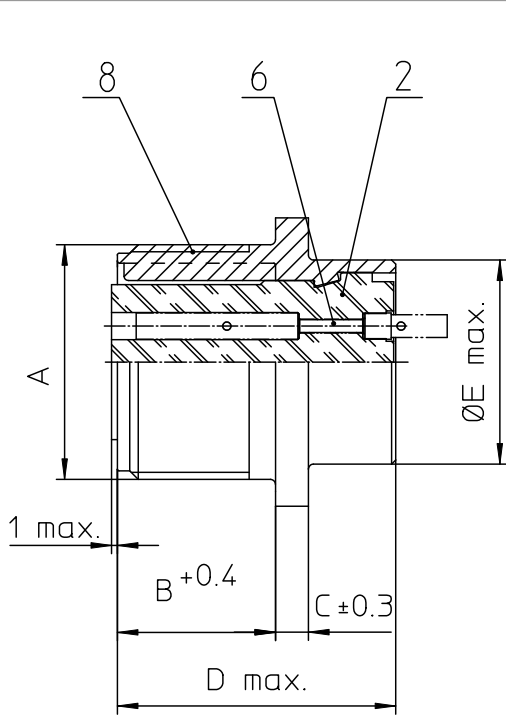
Stocking Distributor

Click to view price, real time Inventory, Delivery & Lifecycle Information:

[ITT Cannon, LLC](#)
[MS3102E28-9SW](#)

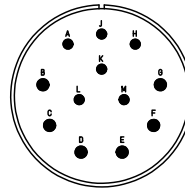
For any questions, you can email us directly:

sales@integrated-circuit.com



| NO. | MASSE / DIMENSION |
|-----|-------------------|
| A | 1 3/4-18NS-2A |
| B | 20.6 |
| C | 4 |
| D | 34.2 |
| E | 41.2 |
| F | 39.7 |
| G | 50.8 |
| H | 3.7 |

| NO. | BESCHREIBUNG / DESCRIPTION |
|-----|---|
| 2 | ISOLIERKÖRPER BUCHSE / INSULATOR SOCKET |
| 6 | KONTAKTBUCHSE / CONTACT SOCKET |
| 8 | DOSENGEHÄUSE / SHELL |



| | |
|---|--|
| <p>Note: Due to an automatic nomenclature system, numbers generated may not be sequential.</p> <p>Specification and Dimensions subject to change. Drawings illustrate normal insulator positioning.</p> | |
| <p>Material Specification: _____</p> | |
| Shell Material: | Aluminium alloy |
| Shell Plating: | Olive drab chromate coating over cadmium plating |
| Insulator Material: | Neoprene |
| Contact Material: | Copper alloy |
| Contact Plating: | Hard silver |

| | | |
|--|--|--|
| <p>all dimensions are in mm Dimensions without tolerance indications are general tolerances in acc. with DIN71880</p> | | <p>drawing for CUSTOMER</p> |
| <p>ITT Engineered for life ITT Cannon Corp. D-71364 Weinstadt Germany</p> | <p>description MS3102E28-9SW Box mounting receptacle</p> | |
| | <p>Solder Cup / Socket / Layout: 28-9</p> | |
| <p>© All rights reserved. Reproduction or issue to third in any form without the prior written authorization of ITT Cannon</p> | | <p>page 1/1 revision 377.3, Jul 16</p> |