



## **Excellent Integrated System Limited**

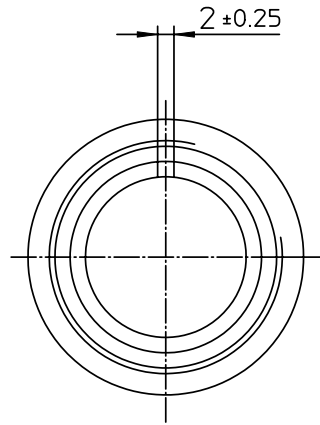
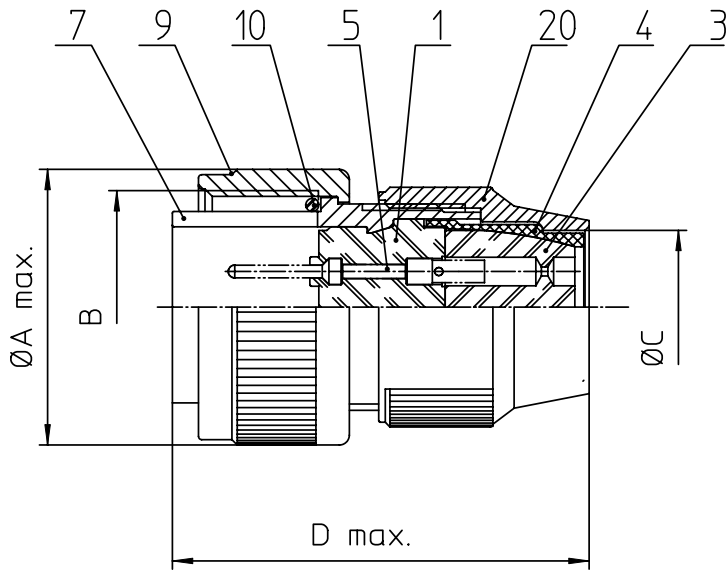
Stocking Distributor

Click to view price, real time Inventory, Delivery & Lifecycle Information:

[ITT Cannon, LLC](#)  
[MS3106R22-12P](#)

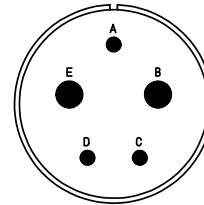
For any questions, you can email us directly:

[sales@integrated-circuit.com](mailto:sales@integrated-circuit.com)




NO.	MASSE / DIMENSION
A	40,5
B	1 3/8-18NEF-2A
C	24,7
D	53

NO.	BESCHREIBUNG / DESCRIPTION
1	ISOLIERKÖRPER STIFT / INSULATOR PIN
3	DICHTKÖRPER / GROMMET
4	ENDRING / ENDRING
5	KONTAKTSTIFT/ CONTACT PIN
7	ZYLINDERGHÄUSE / BARREL
9	ÜBERWURFMUTTER / COUPLING NUT
10	DICHTRING FRONT / FRONT SEALING RING
20	KURZES ENDGEHÄUSE / SHORT ENDBELL



Note: Due to an automatic nomenclature system, numbers generated may not be sequential.  
Specification and Dimensions subject to change  
Drawings illustrate normal insulator positioning

Material Specification:	
Shell Material:	Aluminium alloy
Shell Plating:	Olive drab chromate coating over cadmium plating
Insulator Material:	Neoprene
Contact Material:	Copper alloy
Contact Plating:	Hard silver

all dimensions are in mm		drawing for
Dimensions without tolerance indications are general tolerances in acc. with DIN7168m		CUSTOMER
 <b>ITT</b> Engineered for life <small>ITT CANNON GROUP                      91-71508-0000-00 Summary</small>	description	
	MS3106R22-12P	
	Plug, straight Shortened light-weight endbell without cable clamp Solder Cup / Pin / Layout: 22-12	
<small>© All rights reserved. Reproduction or issue to third in any form                      whatever is only permitted with written authorization of ITT Cannon</small>	page 1/1 revision 377 3. Jul 16	