



## **Excellent Integrated System Limited**

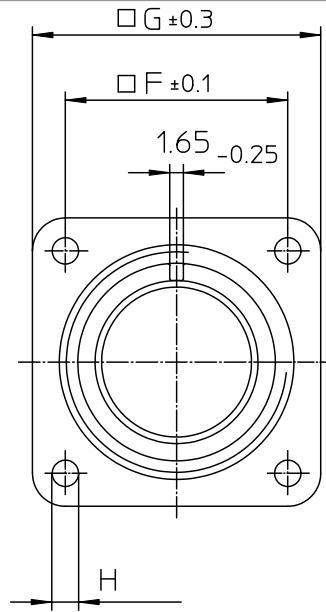
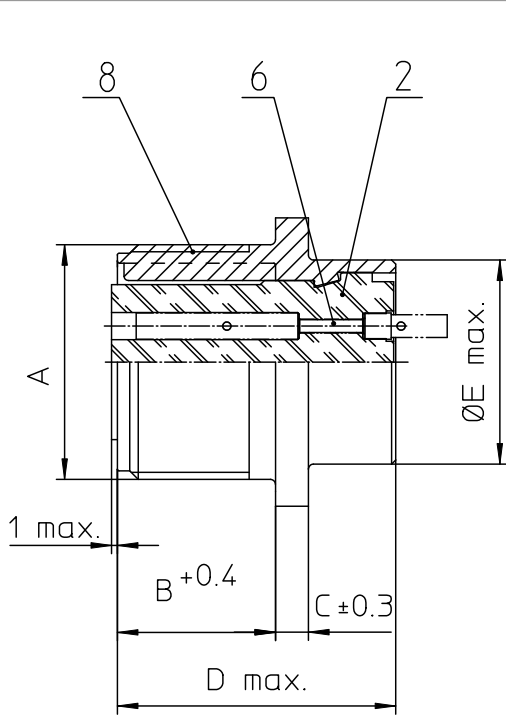
Stocking Distributor

Click to view price, real time Inventory, Delivery & Lifecycle Information:

[ITT Cannon, LLC](#)  
[MS3102E24-9SX](#)

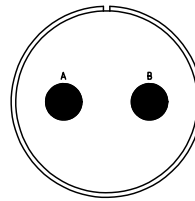
For any questions, you can email us directly:

[sales@integrated-circuit.com](mailto:sales@integrated-circuit.com)



NO.	MASSE / DIMENSION
A	1 1/2-18NEF-2A
B	20.6
C	4
D	34.2
E	35.3
F	34.9
G	44.5
H	3.7

NO.	BESCHREIBUNG / DESCRIPTION
2	ISOLIERKÖRPER BUCHSE / INSULATOR SOCKET
6	KONTAKTBUCHSE / CONTACT SOCKET
8	DOSENGEHÄUSE / SHELL



<p>Note: Due to an automatic nomenclature system, numbers generated may not be sequential. Specification and Dimensions subject to change. Drawings illustrate normal insulator positioning.</p>	
<p>Material Specification: _____</p>	
Shell Material:	Aluminium alloy
Shell Plating:	Olive drab chromate coating over cadmium plating
Insulator Material:	Neoprene
Contact Material:	Copper alloy
Contact Plating:	Hard silver

<p>all dimensions are in mm Dimensions without tolerance indications are general tolerances in acc. with DIN71880</p>	<p>drawing for CUSTOMER</p>
<p><b>ITT</b> Engineered for life ITT CANNON GERMANY D-71364 WERNISSTADT/Germany</p>	<p>description MS3102E24-9SX Box mounting receptacle Solder Cup / Socket / Layout: 24-9</p>
<p>© All rights reserved. Reproduction or issue in any form without the prior written permission of ITT Cannon is prohibited.</p>	<p>page 1/1 revision 377.3, Jul 16</p>