



## **Excellent Integrated System Limited**

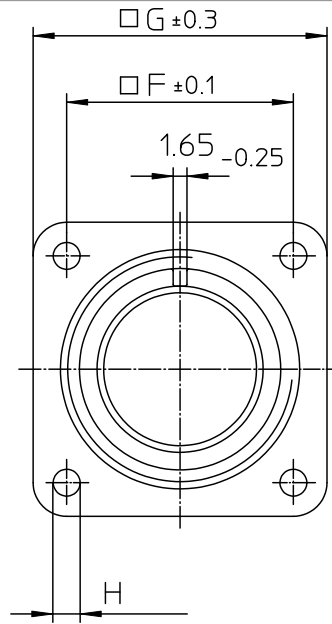
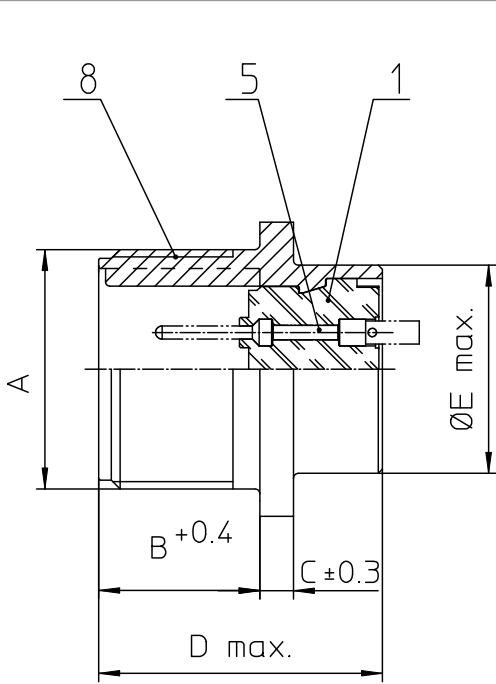
Stocking Distributor

Click to view price, real time Inventory, Delivery & Lifecycle Information:

[ITT Cannon, LLC](#)  
[MS3102R32-15PX](#)

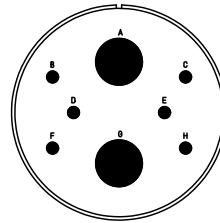
For any questions, you can email us directly:

[sales@integrated-circuit.com](mailto:sales@integrated-circuit.com)



NO.	MASSE / DIMENSION
A	2-18NS-2A
B	22.2
C	4
D	34.2
E	47.6
F	44.5
G	57
H	4.4

NO.	BESCHREIBUNG / DESCRIPTION
1	ISOLIERKÖRPER STIFT / INSULATOR PIN
5	KONTAKTSTIFT/ CONTACT PIN
8	DOSENGEHÄUSE / SHELL



<p>Note: Due to an automatic nomenclature system, numbers generated may not be sequential. Specification and Dimensions subject to change Drawings illustrate normal insulator positioning</p>	
Material Specification:	
Shell Material:	Aluminium alloy
Shell Plating:	Olive drab chromate coating over cadmium plating
Insulator Material:	Neoprene
Contact Material:	Copper alloy
Contact Plating:	Hard silver

<p><b>all dimensions are in mm</b> Dimensions without tolerance indications are general tolerances in acc. with DIN7168m</p>	<p>drawing for <b>CUSTOMER</b></p>
<p><b>ITT</b> Engineered for life ITT CANNON GROUP D-71334 Weinstadt/Germany</p>	<p>description <b>MS3102R32-15PX</b> Box mounting receptacle</p>
<p>© All rights reserved. Reproduction or issue to third in any form without the prior written authorization of ITT Cannon</p>	<p>Solder Cup / Pin / Layout: 32-15</p>
<p>page 1/1</p>	<p>revision 3773, Jul 16</p>