



## **Excellent Integrated System Limited**

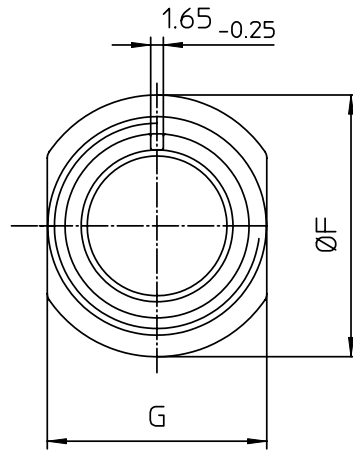
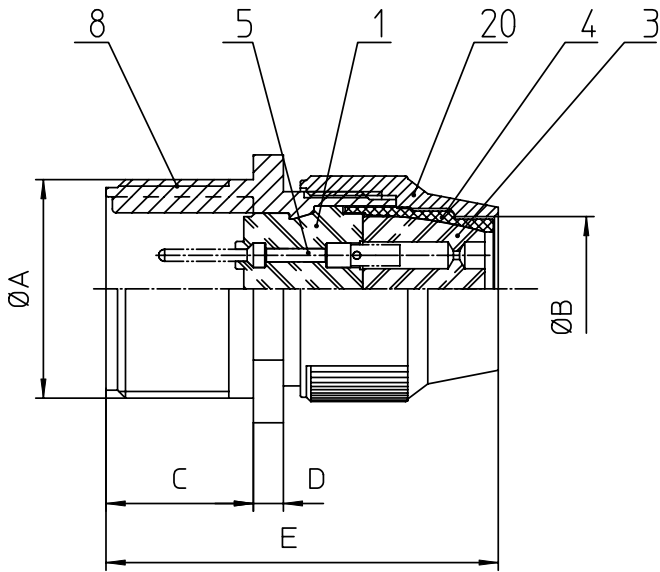
Stocking Distributor

Click to view price, real time Inventory, Delivery & Lifecycle Information:

[ITT Cannon, LLC](#)  
[MS3101R36-15P](#)

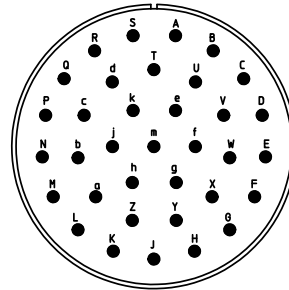
For any questions, you can email us directly:

[sales@integrated-circuit.com](mailto:sales@integrated-circuit.com)



NO.	MASSE / DIMENSION
A	2 1/4-16UN-2A
B	44.5
C	22.2
D	3.2
E	53
F	63.1
G	57.5

NO.	BESCHREIBUNG / DESCRIPTION
1	ISOLIERKÖRPER STIFT / INSULATOR PIN
3	DICHTKÖRPER / GROMMET
4	ENDRING / ENDRING
5	KONTAKTSTIFT/ CONTACT PIN
8	DOSENGEHÄUSE / SHELL
20	KURZES ENDGEHÄUSE/SHORT ENDBELL



Note: Due to an automatic nomenclature system, numbers generated may not be sequential.  
Specification and Dimensions subject to change  
Drawings illustrate normal insulator positioning

**Material Specification:**  
Shell Material: Aluminium alloy  
Shell Plating: Olive drab chromate coating over cadmium plating  
Insulator Material: Neoprene  
Contact Material: Copper alloy  
Contact Plating: Hard silver

all dimensions are in mm  
Dimensions without tolerance indications are general tolerances in acc. with DIN7168m

drawing for  
CUSTOMER



description MS3101R36-15P  
Cable connecting plug  
Shortened light-weight endbell without cable clamp  
Solder Cup / Pin / Layout: 36-15

© All rights reserved. Reproduction or issue to third in any form  
whenever & only permitted with written authorization of ITT Cannon

page 1/1  
revision 377 3. Jul 16