



## **Excellent Integrated System Limited**

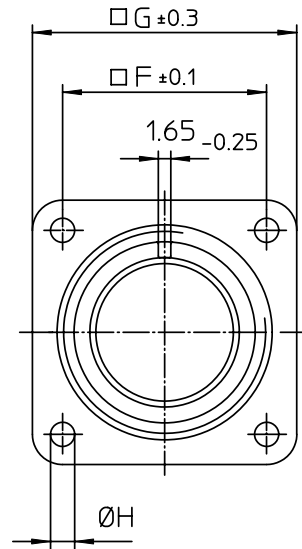
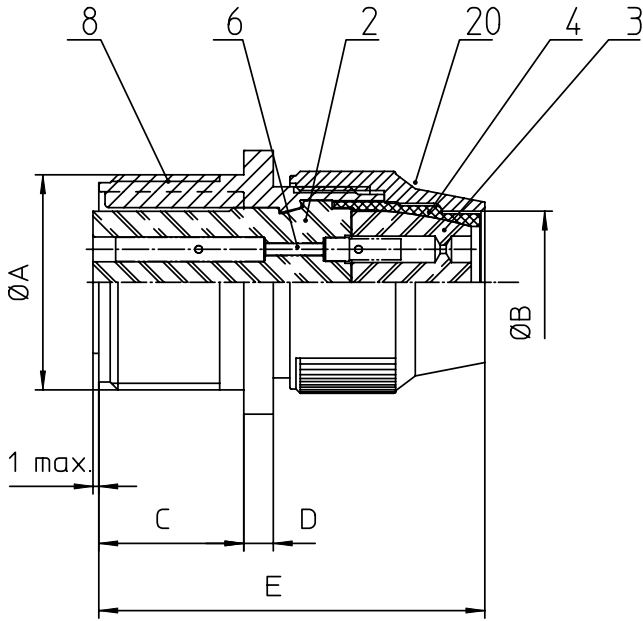
Stocking Distributor

Click to view price, real time Inventory, Delivery & Lifecycle Information:

[ITT Cannon, LLC](#)  
[MS3100R36-9S](#)

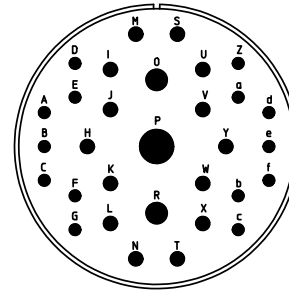
For any questions, you can email us directly:

[sales@integrated-circuit.com](mailto:sales@integrated-circuit.com)




NO.	MASSE / DIMENSION
A	2 1/4-16UN-2A
B	44.5
C	22.2
D	3.2
E	53
F	49.2
G	63.5
H	4.4

NO.	BESCHREIBUNG / DESCRIPTION
2	ISOLIERKÖRPER BUCHSE / INSULATOR SOCKET
3	DICHTKÖRPER / GROMMET
4	ENDRING / ENDRING
6	KONTAKTBUCHSE / CONTACT SOCKET
8	DOSENGEHÄUSE / SHELL
20	KURZES ENDGEHÄUSE/SHORT ENDBELL



Note:	Due to an automatic nomenclature system, numbers generated may not be sequential.
	Specification and Dimensions subject to change Drawings illustrate normal insulator positioning
<b>Material Specification:</b>	
Shell Material:	Aluminium alloy
Shell Plating:	Olive drab chromate coating over cadmium plating
Insulator Material:	Neoprene
Contact Material:	Copper alloy
Contact Plating:	Hard silver

all dimensions are in mm Dimensions without tolerance indications are general tolerances in acc. with DIN7168m		drawing for CUSTOMER
 <b>ITT</b> Engineered for life ITT CANNON GROUP 91-77388-0000-00 Summary	description	MS3100R36-9S
		Wall mounting receptacle Shortened light-weight endbell without cable clamp Solder Cup / Socket / Layout: 36-9
© All rights reserved. Reproduction or issue to third in any form whenever & only permitted with written authorization of ITT Cannon	page 1/1	revision 377 3. Jul 16