



Excellent Integrated System Limited

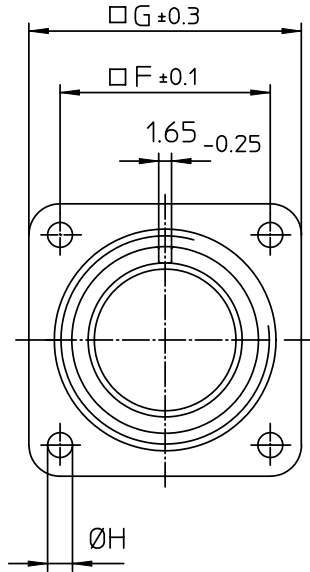
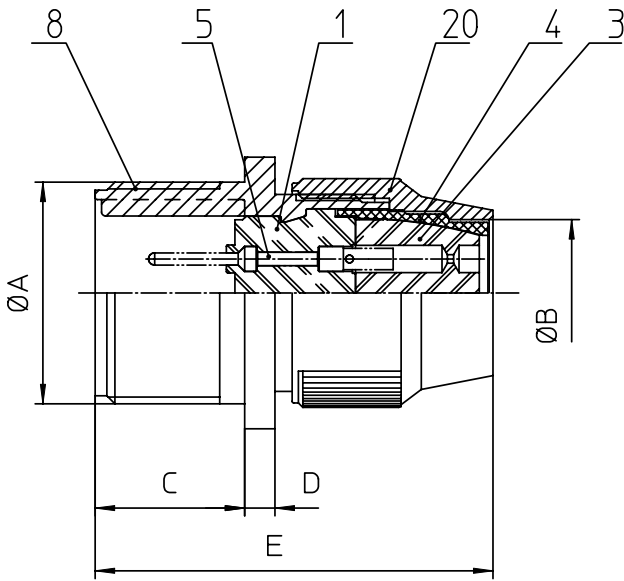
Stocking Distributor

Click to view price, real time Inventory, Delivery & Lifecycle Information:

[ITT Cannon, LLC](#)
[CA3100R16S-5P](#)

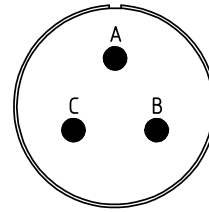
For any questions, you can email us directly:

sales@integrated-circuit.com




NO.	MASSE / DIMENSION
A	1-20UNEf-2A
B	15.4
C	14.2
D	2
E	41
F	24.6
G	32.5
H	3.1

NO.	BESCHREIBUNG / DESCRIPTION
1	ISOLIERKÖRPER STIFT / INSULATOR PIN
3	DICHTKÖRPER / GROMMET
4	ENDRING / ENDRING
5	KONTAKTSTIFT / CONTACT PIN
8	DOSENGEHÄUSE / SHELL
20	KURZES ENDGEHÄUSE/SHORT ENDBELL



Note: Due to an automatic nomenclature system, numbers generated may not be sequential.
 Specification and Dimensions subject to change
 Drawings illustrate normal insulator positioning

Material Specification:
 Shell Material: Aluminium alloy
 Shell Plating: Olive drab chromate coating over cadmium plating
 Insulator Material: Neoprene
 Contact Material: Copper alloy
 Contact Plating: Hard silver

all dimensions are in mm Dimensions without tolerance indications are general tolerances in acc. with DIN7168m		drawing for CUSTOMER
 ITT Engineered for life ITT CANNON GROUP 91-77358-0000-00 Summary	description	CA3100R16S-5P
	Wall mounting receptacle Shortened light-weight endbell without cable clamp Solder Cup / Pin / Layout: 16S-5	
© All rights reserved. Reproduction or issue to third in any form whenever & only permitted with written authorization of ITT Cannon	page 1/1	revision 377 3. Jul 16