



## **Excellent Integrated System Limited**

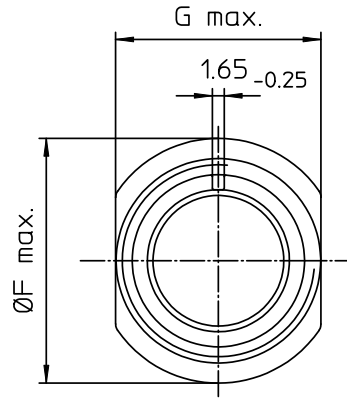
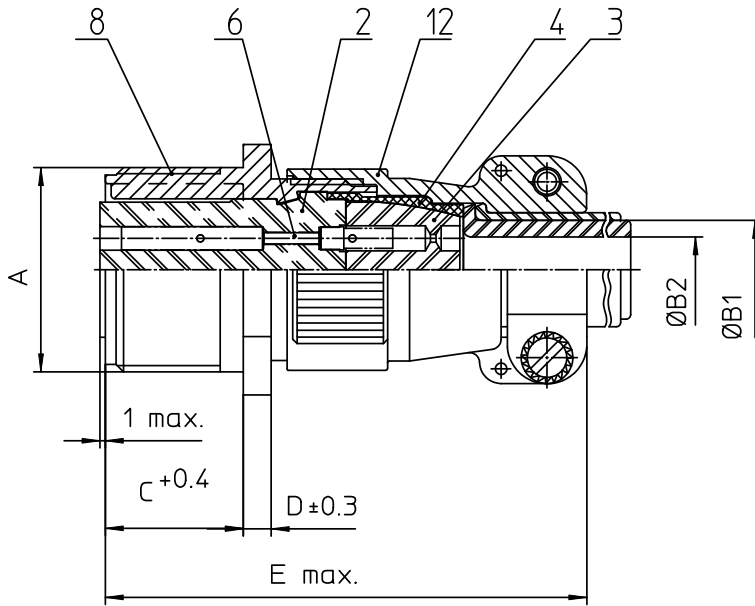
Stocking Distributor

Click to view price, real time Inventory, Delivery & Lifecycle Information:

[ITT Cannon, LLC](#)  
[CA3101E10SL-4S](#)

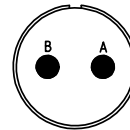
For any questions, you can email us directly:

[sales@integrated-circuit.com](mailto:sales@integrated-circuit.com)





| NO. | MASSE / DIMENSION |
|-----|-------------------|
| A   | 5/8-24NEF-2A      |
| B1  | 6.6               |
| B2  | -                 |
| C   | 14.2              |
| D   | 2.8               |
| E   | 53                |
| F   | 21.8              |
| G   | 16.2              |

| NO. | BESCHREIBUNG / DESCRIPTION              |
|-----|---|
| 2   | ISOLIERKÖRPER BUCHSE / INSULATOR SOCKET |
| 3   | DICHTKÖRPER / GROMMET                   |
| 4   | ENDRING / ENDRING                       |
| 6   | KONTAKTBUCHSE / CONTACT SOCKET          |
| 8   | DOSENGEHÄUSE / SHELL                    |
| 12  | ENDGEHÄUSE / ENDBELL                    |



Note: Due to an automatic nomenclature system, numbers generated may not be sequential.  
Specification and Dimensions subject to change  
Drawings illustrate normal insulator positioning

| Material Specification: |  |
|-------------------------|--|
| Shell Material:         | Aluminium alloy                                  |
| Shell Plating:          | Olive drab chromate coating over cadmium plating |
| Insulator Material:     | Neoprene   |
| Contact Material:       | Copper alloy                                     |
| Contact Plating:        | Hard silver                                      |

| all dimensions are in mm<br>Dimensions without tolerance indications are general tolerances in acc. with DIN7168m  |  | drawing for<br>CUSTOMER   |
|--|--|---|
| <br><b>ITT</b><br>Engineered for life<br><small>ITT CANNON GERMANY<br/>D-73061 Heilbronn, Germany</small> | description  | CA3101E10SL-4S  |
|  |  | Cable connecting plug<br>Endbell with clamp and bushing<br>Solder Cup / Socket / Layout: 10SL-4 |
| <small>© All rights reserved. Reproduction or use in third in any form<br/>whenever is only permitted with written authorization of ITT Cannon</small>   |  page 1/1<br>revision 377.3, Jul 16 |   |