



Distributor of ITT Cannon, LLC: Excellent Integrated System Limited

Datasheet of CA3101F18-1PF80 - CONN RCPT 10POS INLINE W/PINS

Contact us: sales@integrated-circuit.com Website: www.integrated-circuit.com

Excellent Integrated System Limited

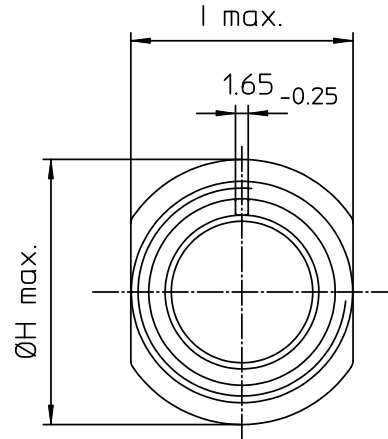
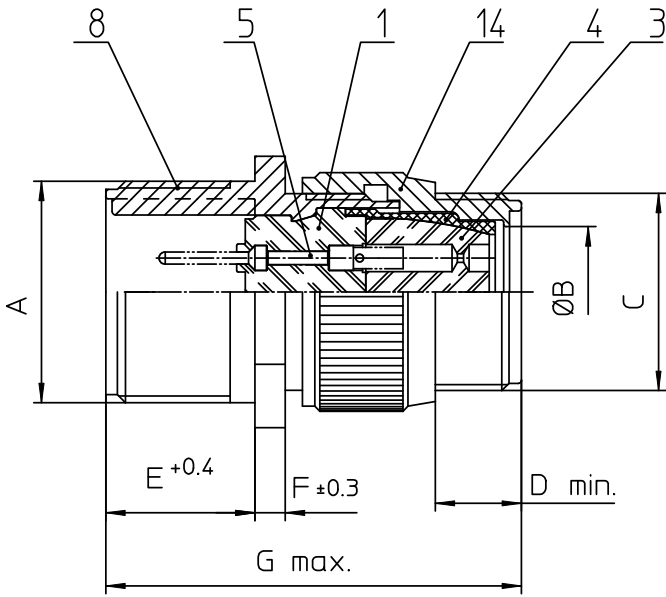
Stocking Distributor

Click to view price, real time Inventory, Delivery & Lifecycle Information:

[ITT Cannon, LLC](#)
[CA3101F18-1PF80](#)

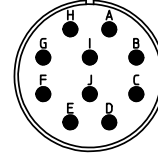
For any questions, you can email us directly:

sales@integrated-circuit.com



NO.	MASSE / DIMENSION
A	1 1/8-18NEF-2A
B	16.7
C	1-20UNEF-2A
D	9.5
E	19
F	4
G	54
H	34.5
I	28.9

NO.	BESCHREIBUNG / DESCRIPTION
1	ISOLIERKÖRPER STIFT / INSULATOR PIN
3	DICHTKÖRPER / GROMMET
4	ENDRING / ENDRING
5	KONTAKTSTIFT/ CONTACT PIN
8	DOSENGEHÄUSE / SHELL
14	F-ENDGEHÄUSE / F-ENDBELL



Note: Due to an automatic nomenclature system, numbers generated may not be sequential.
Specification and Dimensions subject to change
Drawings illustrate normal insulator positioning

Material Specification:	
Shell Material:	Aluminium alloy
Shell Plating:	Olive drab chromate coating over cadmium plating
Insulator Material:	Neoprene
Contact Material:	Copper alloy
Contact Plating:	Hard silver

all dimensions are in mm Dimensions without tolerance indications are general tolerances in acc. with DIN7168m		drawing for CUSTOMER
 Engineered for life ITT CANNON GmbH D-71334 Wernstetten/Germany	description	CA3101F18-1P-F80
		Cable connecting plug Endbell for flex tube AWG Crimp / Pin / Layout: 18-1
© All rights reserved. Reproduction or issue in third in any form whenever is only permitted with written authorization of ITT Cannon	page 1/1	revision 414 24. Oct 11