



Excellent Integrated System Limited

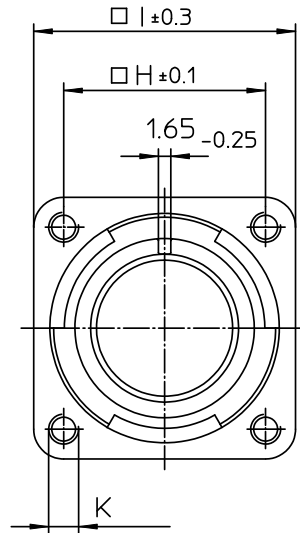
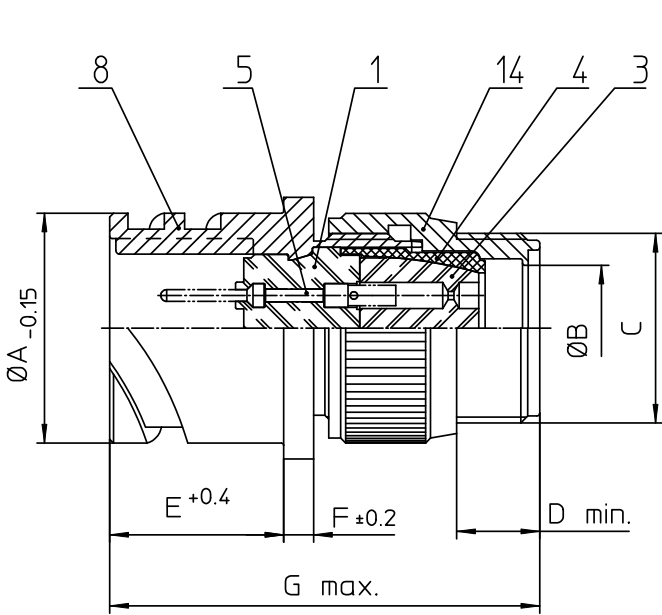
Stocking Distributor

Click to view price, real time Inventory, Delivery & Lifecycle Information:

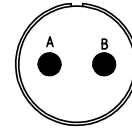
[ITT Cannon, LLC](#)
[CA3100F10SL-4PB](#)

For any questions, you can email us directly:

sales@integrated-circuit.com



| NO. | MASSE / DIMENSION |
|-----|-------------------|
| A | 18.2 |
| B | 8.2 |
| C | 5/8-24UNEF-2A |
| D | 9.5 |
| E | 18.2 |
| F | 2.8 |
| G | 50 |
| H | 18.2 |
| I | 25.4 |
| K | M4 |



| NO. | BESCHREIBUNG / DESCRIPTION |
|-----|-------------------------------------|
| 1 | ISOLIERKÖRPER STIFT / INSULATOR PIN |
| 3 | DICKTKÖRPER / GROMMET |
| 4 | ENDRING / ENDRING |
| 5 | KONTAKTSTIFT / CONTACT PIN |
| 8 | DOSENGEHÄUSE / SHELL |
| 14 | F-ENDGEHÄUSE / F-ENDBELL |

Note: Due to an automatic nomenclature system, numbers generated may not be sequential.
Specification and Dimensions subject to change
Drawings illustrate normal insulator positioning

| Material Specification: | |
|-------------------------|---|
| Shell Material: | Aluminium alloy |
| Shell Plating: | Olive drab chromate over cadmium (conductive) |
| Insulator Material: | CR-Elastomere |
| Contact Material: | Copper alloy |
| Contact Plating: | Hard silver |

all dimensions are in mm

Dimensions without tolerance indications are general tolerances in acc. with DIN7168m

drawing for
CUSTOMER



description CA3100F10SL-4PB
Wall mounting receptacle
Endbell for flex tube
Solder Cup / Pin / Layout: 10SL-4

© All rights reserved. Reproduction or issue to third in any form
whenever is only permitted with written authorization of ITT Cannon



page 1/1 revision 786.4, Jul 16