



Excellent Integrated System Limited

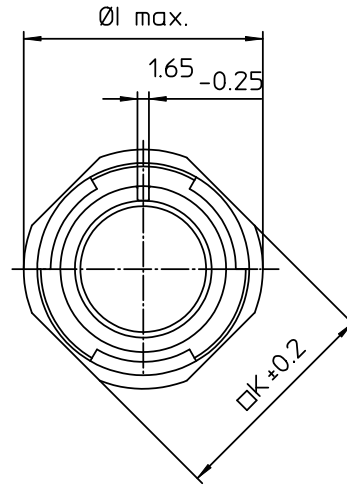
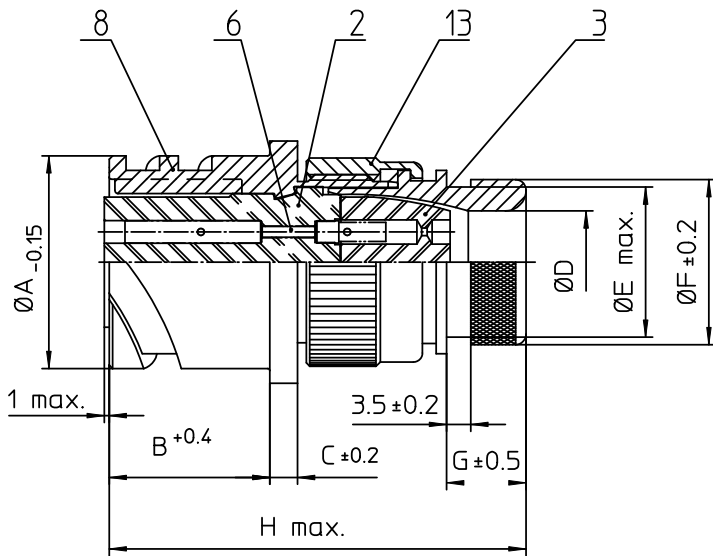
Stocking Distributor

Click to view price, real time Inventory, Delivery & Lifecycle Information:

[ITT Cannon, LLC](#)
[CA3101E10SL-4SB02F0](#)

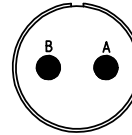
For any questions, you can email us directly:

sales@integrated-circuit.com



| NO. | MASSE / DIMENSION |
|-----|-------------------|
| A | 18.2 |
| B | 18.2 |
| C | 2.8 |
| D | 7.7 |
| E | 13.3 |
| F | 15.5 |
| G | 11.7 |
| H | 53 |
| I | 25.2 |
| K | 20.6 |

| NO. | BESCHREIBUNG / DESCRIPTION |
|-----|---|
| 2 | ISOLIERKÖRPER BÜCHSE / INSULATOR SOCKET |
| 3 | DICHTKÖRPER / GROMMET |
| 6 | KONTAKTBÜCHSE / CONTACT SOCKET |
| 8 | DOSENGEHÄUSE / SHELL |
| 13 | ENDGEHÄUSE DN / ENDBELL HEATSHRINK |



Note: Due to an automatic nomenclature system, numbers generated may not be sequential.
 Specification and Dimensions subject to change
 Drawings illustrate normal insulator positioning

| Material Specification: | |
|-------------------------|---|
| Shell Material: | Aluminium alloy |
| Shell Plating: | Olive drab chromate over cadmium (conductive) |
| Insulator Material: | CR-Elastomere |
| Contact Material: | Copper alloy |
| Contact Plating: | Hard silver |

all dimensions are in mm
 Dimensions without tolerance indications are general tolerances in acc. with DIN7168m

drawing for
 CUSTOMER



description CA3101E10SL-4S-B-02-F0
 Cable connecting plug
 Endbell for heatshrinkable boots
 AWG Crimp / Socket / Layout: 10SL-4

© All rights reserved. Reproduction or use by third in any form
 without written authorization of ITT Cannon

page 1/1
 revision 786.4, Jul 16