



## **Excellent Integrated System Limited**

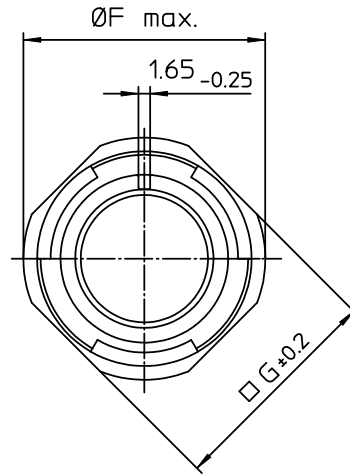
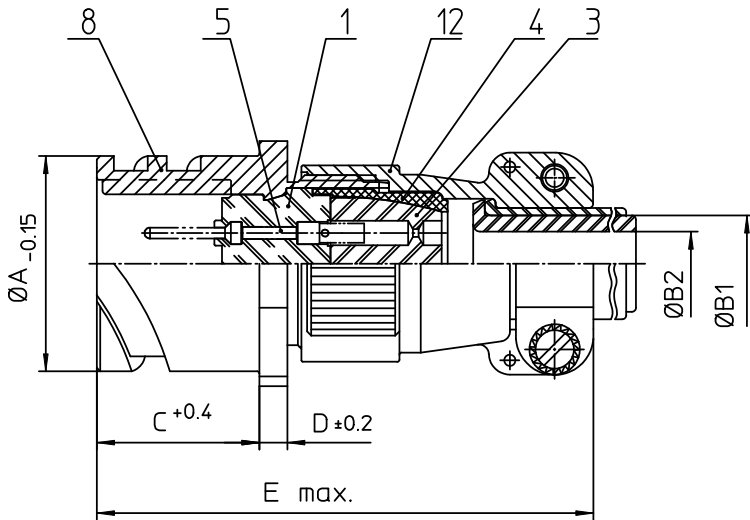
Stocking Distributor

Click to view price, real time Inventory, Delivery & Lifecycle Information:

[ITT Cannon, LLC](#)  
[CA3101E10SL-3PBF80](#)

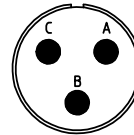
For any questions, you can email us directly:

[sales@integrated-circuit.com](mailto:sales@integrated-circuit.com)




NO.	MASSE / DIMENSION
A	18.2
B1	6.6
B2	-
C	18.2
D	2.8
E	57
F	25.2
G	20.6

NO.	BESCHREIBUNG / DESCRIPTION
1	ISOLIERKÖRPER STIFT / INSULATOR PIN
3	DICHTKÖRPER / GROMMET
4	ENDRING / ENDRING
5	KONTAKTSTIFT/ CONTACT PIN
8	DOSENGEHÄUSE / SHELL
12	ENDGEHÄUSE / ENDBELL



Note: Due to an automatic nomenclature system, numbers generated may not be sequential.  
Specification and Dimensions subject to change  
Drawings illustrate normal insulator positioning

Material Specification:	
Shell Material:	Aluminium alloy
Shell Plating:	Olive drab chromate over cadmium (conductive)
Insulator Material:	CR-Elastomere
Contact Material:	Copper alloy
Contact Plating:	Hard silver

all dimensions are in mm Dimensions without tolerance indications are general tolerances in acc. with DIN7168m		drawing for CUSTOMER
 <b>ITT</b> Engineered for life <small>ITT CANNON GmbH D-71334 Winstedt/Germany</small>	description CA3101E10SL-3P-B-F80 Cable connecting plug Endbell with clamp and bushing AWG Crimp / Pin / Layout: 10SL-3	
	<small>© All rights reserved. Reproduction or issue to third in any form whatever is only permitted with written authorization of ITT Cannon</small>	page 1/1 revision 786 4. Jul 16