



## **Excellent Integrated System Limited**

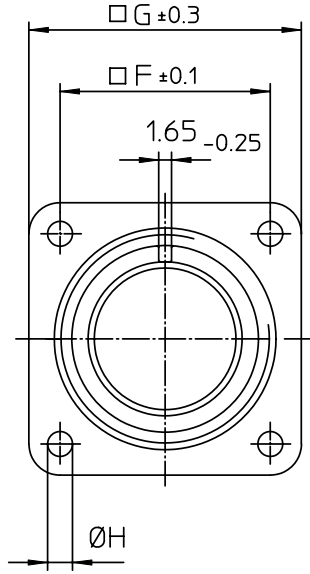
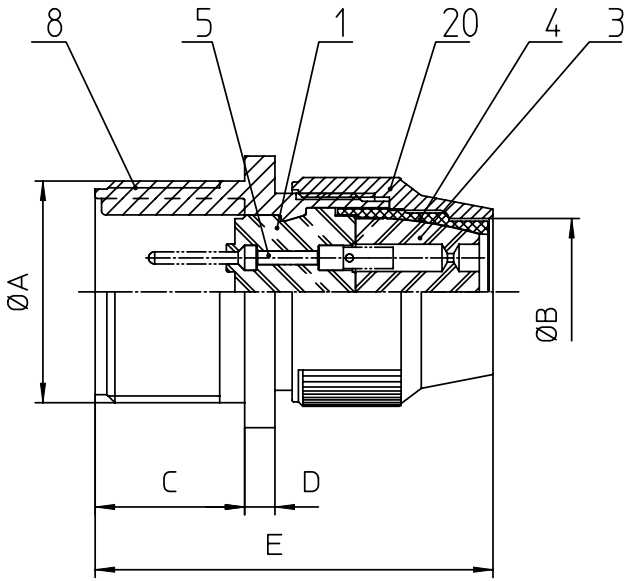
Stocking Distributor

Click to view price, real time Inventory, Delivery & Lifecycle Information:

[ITT Cannon, LLC](#)  
[CA3100R28-15P](#)

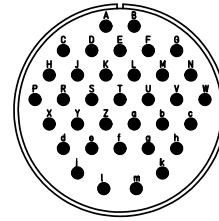
For any questions, you can email us directly:

[sales@integrated-circuit.com](mailto:sales@integrated-circuit.com)



NO.	MASSE / DIMENSION
A	1 3/4-18NS-2A
B	31.6
C	20.6
D	2.4
E	53
F	39.7
G	50.8
H	3.7

NO.	BESCHREIBUNG / DESCRIPTION
1	ISOLIERKÖRPER STIFT / INSULATOR PIN
3	DICHTKÖRPER / GROMMET
4	ENDRING / ENDRING
5	KONTAKTSTIFT/ CONTACT PIN
8	DOSENGEHÄUSE / SHELL
20	KURZES ENDGEHÄUSE/SHORT ENDBELL



Note: Due to an automatic nomenclature system, numbers generated may not be sequential.  
 Specification and Dimensions subject to change  
 Drawings illustrate normal insulator positioning

**Material Specification:**  
 Shell Material: Aluminium alloy  
 Shell Plating: Olive drab chromate coating over cadmium plating  
 Insulator Material: Neoprene  
 Contact Material: Copper alloy  
 Contact Plating: Hard silver

all dimensions are in mm  
 Dimensions without tolerance indications are general tolerances in acc. with DIN7168m

drawing for  
 CUSTOMER



description CA3100R28-15P  
 Wall mounting receptacle  
 Shortened light-weight endbell without cable clamp  
 Solder Cup / Pin / Layout: 28-15

© All rights reserved. Reproduction or issue to third in any form  
 whatever is only permitted with written authorization of ITT Cannon

page 1/1  
 revision 377 3. Jul 16